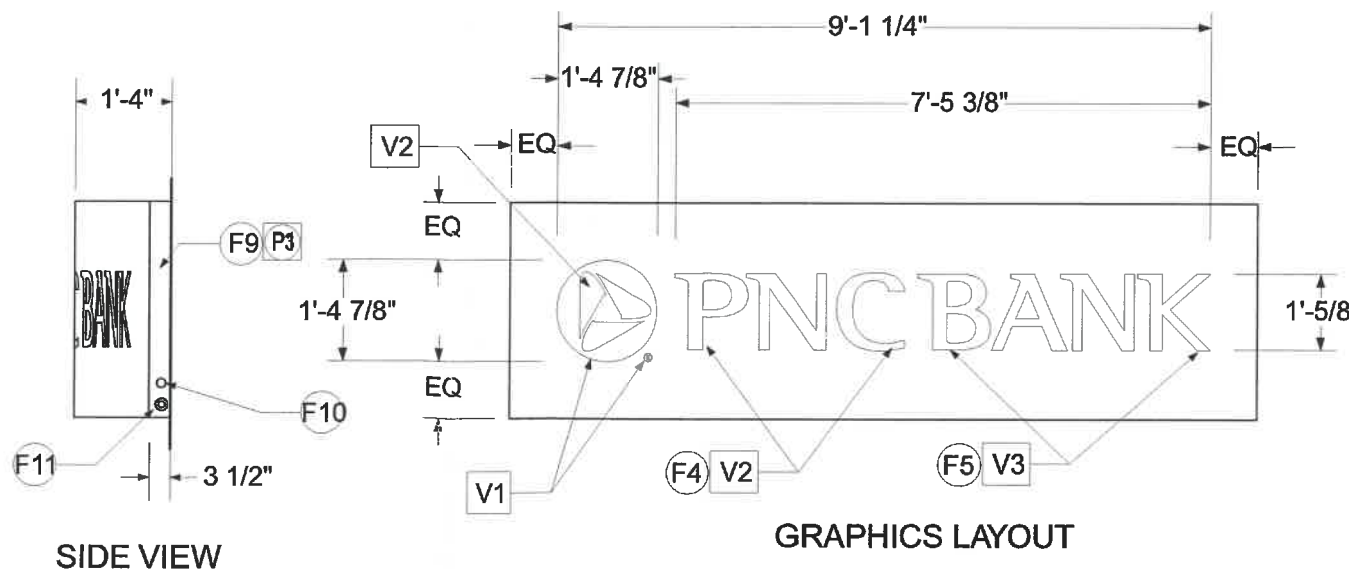
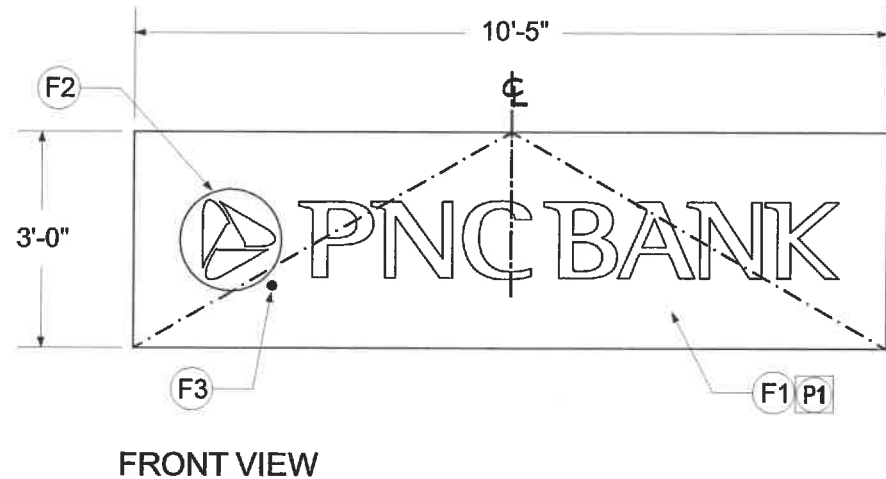
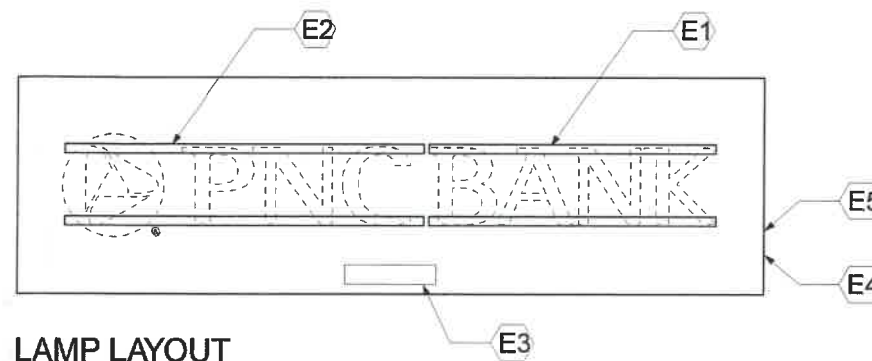
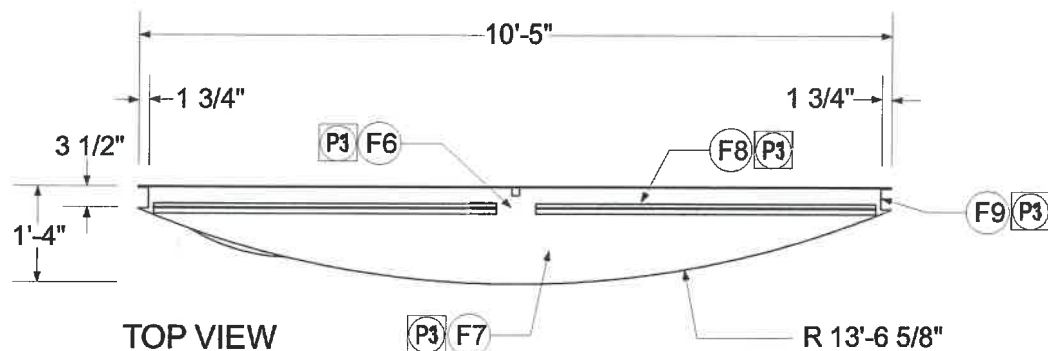


PNC BANK
701 NORTH PERRY
NAPOLEAN, OHIO

GENERAL NOTES:

- ALL PAINTS TO BE TWO-PART POLY-URETHANE BY MATTHEWS. SATIN FINISH.
- ALL FILM TO BE ARLON UNLESS OTHERWISE STATED.
- ALL STEEL COMPONENTS TO BE PRIMED WITH ZINC INHIBITOR (DEVCON-Z OR EQUAL)
- ALL ELECTRICAL WORK TO MEET OR EXCEED U. L. REQUIREMENTS.
- ALL EXPOSED FASTENERS TO BE PAINTED TO MATCH CABINET.
- ELECTRICAL LEADS FROM THE BACK OF ILLUMINATED LETTERS TO BE A MINIMUM OF 6'-0" LONG AS MEASURED FROM THE BACK OF THE LETTER

- (F1) FABRICATION NOTES (P1) PAINT NOTES
- (V1) VINYL COLORS (E1) ELECTRICAL NOTES



TOTAL SQFT= 31.25'
PART # PNCW-30
ESTIMATE # 67955

FABRICATION NOTES

- .125" ROUTED ALUM SIGN FACE FORM AS SHOWN. ROUTE COPY USING ARTWORK PROVIDED BY DESIGNER. PAINT FINISH EXPOSED EXTERIOR SURFACES PNC BLUE SATIN FINISH. PAINT FINISH ALL INTERIOR SURFACES WITH LIGHT ENHANCEMENT PAINT
- "POWERLINK" SYMBOL TO BE DROP FORMED. .118" CLEAR ACRYLIC (ACRYSTEEL OR APPROVED EQUAL) SECOND SURFACE DECORATE WITH PNC ORANGE TRANSLUCENT FILM. CUT AND DROP IN WHITE DETAIL USING PNC WHITE TRANSLUCENT FILM.
- TRADEMARK REGISTRATION TO BE PNC ORANGE FILM FIRST SURFACE APPLIED. USE ARTWORK PROVIDED BY DESIGNER
- "PNC" TO BE BACKED WITH .118" CLEAR IMPACT MOD. ACRYLIC (ACRYSTEEL OR APPROVED EQUAL) SECOND SURFACE DECORATE WITH PNC WHITE TRANSLUCENT FILM.
- "BANK" TO BE BACKED UP WITH .118" CLEAR IMPACT MOD. ACRYLIC (ACRYSTEEL OR APPROVED EQUAL) SECOND SURFACE DECORATE WITH PNC LT BLUE TRANSLUCENT FILM.
- .125" ALUM SIGN CABINET RETURNS. FORM AS SHOWN. PAINT FINISH ALL EXPOSED EXTERIOR SURFACES PNC ORANGE SATIN FINISH. PAINT FINISH ALL EXPOSED INTERIOR SURFACES WITH LIGHT ENHANCEMENT PAINT
- .125" ALUM HINGED FACE RETURN. FORM AS SHOWN. PAINT FINISH ALL EXPOSED EXTERIOR SURFACES PNC ORANGE SATIN FINISH. ATTACH TO OPEN PIANO HINGE ON TOP
- STAINLESS STEEL 2" OPEN PIANO HINGE CONTINUOUS ACROSS TOP. PAINT FINISH PNC ORANGE SATIN FINISH.
- ALUMINUM CHANNEL REVEAL AT SIDES AT SIDES. SIZE AS SHOWN. PAINT FINISH PNC ORANGE SATIN FINISH. WELD TO .125" ALUM. CABINET RETURNS TOP & BOTTOM.
- PHOTOCELL REQUIRED TO BE IN REVEAL
- EMERGENCY DISCONNECT SWITCH AS REQUIRED TO MEET U. L. AND APPLICABLE CODE REQUIREMENTS. SWITCH TO BE BOOTED ALL-WEATHER.

PAINT COLORS

- 1) BLUE MATTHEWS MP31479
- 2) LIGHT ENHANCEMENT MATTHEWS MP74200SP ZAP WHT
- 3) ORANGE MATTHEWS MP01229
- 4) SILVER METALLIC MATTHEWS MP18101
- 5) X
- 6) X

VINYL COLORS

- 1) ORANGE ARLON 2500-2919
- 2) WHITE ARLON 2500-20
- 3) LT BLUE ARLON 2500-2869
- 4) X
- 5) X
- 6) X

ELECTRICAL NOTES

- 1) F60T12DHO DAYLIGHT FLUORESCENT LAMPS (2)
- 2) F48T12DHO DAYLIGHT FLUORESCENT LAMPS (2)
- 3) ESB432-14 BALLAST (1)
- 4) DISCONNECT SWITCH
- 5) PHOTOCELL

DATE: 08-27-09 SHEET 1 OF 2

ARTIST: DSJ DATE:

SALES REP: BH DATE:

STATE: X APPROVED AS NOTED DATE:

CITY: X APPROVED AS NOTED DATE:

REVISION 3: X

REVISION 4: X

INSTALLATION ADDRESS: X

CLIENT: PNC BANK

DESIGN NUMBER: W-30 WALL SIGN LAYOUT

REVISION 1: X

REVISION 2: X

ENCON SERVICES, INC.
AARON BIEDENBACH
2272 JAUDON ROAD
DOVER, FL 33527
813-655-3373
OHPE #60756, OC #01893



THOMAS SIGN & AWNING COMPANY, INC.
4590 118TH AVENUE NORTH CLEARWATER, FL 33762
800-526-3325 • 727-573-7757 • FAX 727-573-0328

W-30 WALL SIGN
SCALE: 3/8" = 1'-0"

ELECTRICAL SPECIFICATIONS					
PLASTIC SIGN BALLAST-HIGH OUTPUT 800 MA AT 120 VOLT 60 HZ					
BALLAST #	LAMP CURRENT	MAX LINE CURRENT AMPS	MAX INPUT WATTS	OPEN CIRCUIT VOLTAGE	
1	ESB432-14	.800	2.34	280	600
X	X	X	X	X	X
X	X	X	X	X	X
TOTAL		2.34	280		

(1) 20 AMP-120 VOLT CIRCUIT REQUIRED

UL Underwriters Laboratories Inc. LISTED

ELECTRIC SIGN COMPLIANT TO UL 48

THIS ARTICLE IS INTENDED TO BE INSTALLED IN ACCORDANCE WITH THE REQUIREMENTS OF ARTICLE 600 OF THE NATIONAL ELECTRICAL CODE AND/OR OTHER APPLICABLE LOCAL CODES. THIS INCLUDES PROPER GROUNDING AND BONDING OF THIS SIGN.

THIS DRAWING IS THE PROPERTY OF THOMAS SIGN & AWNING CO. INC. ALL RIGHTS TO ITS USE FOR REPRODUCTION ARE RESERVED BY THOMAS SIGN & AWNING CO. INC., CLEARWATER, FL

PNC BANK
701 NORTH PERRY
NAPOLEAN, OHIO

SIGN MOUNTING HEIGHT TO BE 30FT MAXIMUM

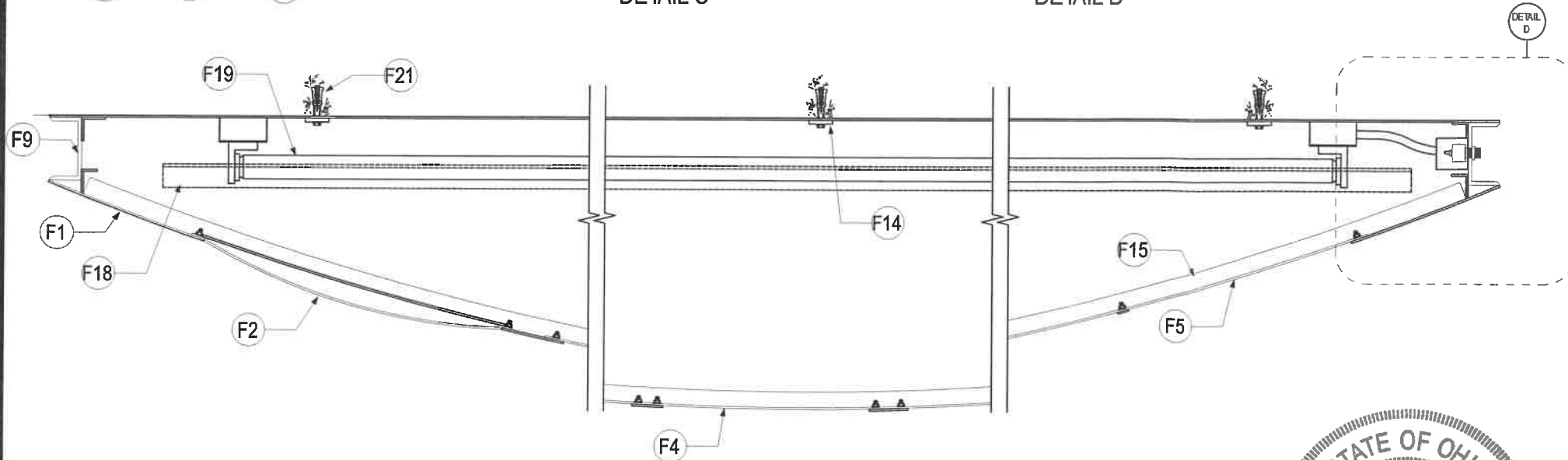
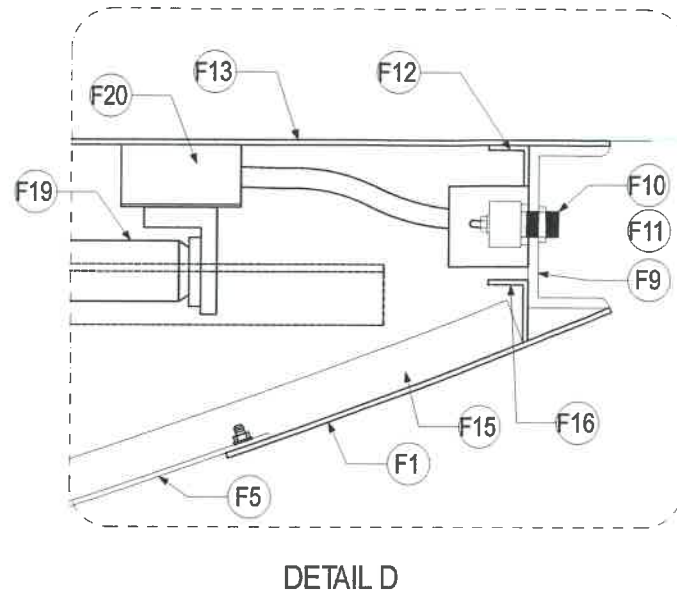
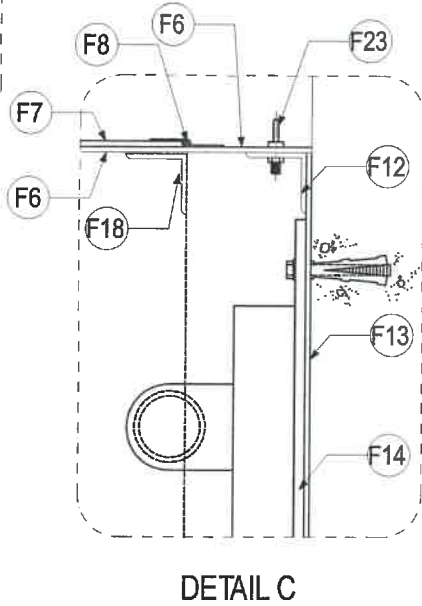
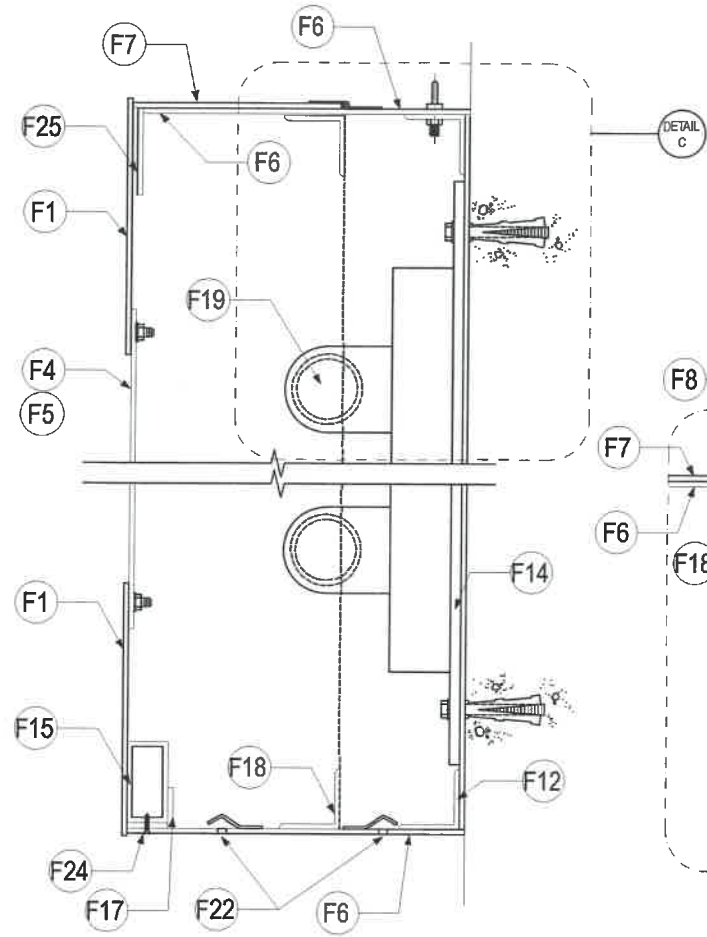
ANCHOR TO BE THRU BOLTS IF POSSIBLE, ALTERNATE ANCHORS PER WALL TYPE SHOWN BELOW FOR USE IF THRU BOLTING IS NOT POSSIBLE

F1 FABRICATION NOTES P1 PAINT NOTES
V1 VINYL COLORS E1 ELECTRICAL NOTES

ANCHOR SCHEDULE: 3/8" DIA. ANCHORS	
QUANTITY: (6) REQUIRED	
WALL STRUCTURE	ANCHOR TYPE
WOOD BLOCKING	LAG BOLT (3" EMBEDMENT) THRU BLOCKING
EIFS OVER 5/8" PLYWOOD	LIBERTY TOGGLE BOLT OR THRU BOLT WITH SLEEVE
HOLLOW CONCRETE BLOCK, BRICK	SLEEVE ANCHOR (1-1/2" EMBEDMENT)
SOLID CONCRETE	WEDGE ANCHOR (2-1/2" EMBEDMENT)
CMU, SOLID CONCRETE, BRICK	HILTI HIT ROD W/HY-20 ADHESIVE (3 1/2" EMBEDMENT)

NOTE: PROVIDE PROP RODS AS REQUIRED FOR ALL HINGED FACES TO PROVIDE ADEQUATE ACCESS WHILE SERVICING SIGNS

ALL ANCHORS SHALL BE CHOSEN AND PLACED IN ACCORDANCE WITH MANUFACTURERS INSTALLATION INSTRUCTIONS



TOTAL SQFT= 25.0'

PART # PNCW-25

ESTIMATE # 66810

FABRICATION NOTES

- .125" ROUTED ALUM SIGN FACE. FORM AS SHOWN. ROUTE COPY USING ARTWORK PROVIDED BY DESIGNER. PAINT FINISH EXPOSED EXTERIOR SURFACES PNC BLUE SATIN FINISH. PAINT FINISH ALL INTERIOR SURFACES WITH LIGHT ENHANCEMENT PAINT.
- "POWERLINK" SYMBOL TO BE DROP FORMED .118" CLEAR ACRYLIC (ACRYSTEEL OR APPROVED EQUAL). SECOND SURFACE DECORATE WITH PNC ORANGE TRANSLUCENT FILM. CUT AND DROP IN WHITE DETAIL USING PNC WHITE TRANSLUCENT FILM.
- TRADEMARK REGISTRATION TO BE PNC ORANGE FILM FIRST SURFACE APPLIED. USE ARTWORK PROVIDED BY DESIGNER.
- "PNC" TO BE BACKED WITH .118" CLEAR IMPACT MOD. ACRYLIC (ACRYSTEEL OR APPROVED EQUAL) SECOND SURFACE DECORATE WITH PNC WHITE TRANSLUCENT FILM.
- "BANK" TO BE BACKED UP WITH .118" CLEAR IMPACT MOD. ACRYLIC (ACRYSTEEL OR APPROVED EQUAL) SECOND SURFACE DECORATE WITH PNC LT BLUE TRANSLUCENT FILM.
- .125" ALUM SIGN CABINET RETURNS. FORM AS SHOWN. PAINT FINISH ALL EXPOSED EXTERIOR SURFACES PNC ORANGE SATIN FINISH. PAINT FINISH ALL EXPOSED INTERIOR SURFACES WITH LIGHT ENHANCEMENT PAINT.
- .125" ALUM HINGED FACE RETURN. FORM AS SHOWN. PAINT FINISH ALL EXPOSED EXTERIOR SURFACES PNC ORANGE SATIN FINISH. ATTACH TO OPEN PIANO HINGE ON TOP.
- STAINLESS STEEL 2" OPEN PIANO HINGE CONTINUOUS ACROSS TOP. PAINT FINISH PNC ORANGE SATIN FINISH.
- ALUMINUM CHANNEL REVEAL AT SIDES AT SIDES. SIZE AS SHOWN. PAINT FINISH PNC ORANGE SATIN FINISH. WELD TO .125" ALUM. CABINET RETURNS TOP & BOTTOM.
- PHOTOCELL REQUIRED TO BE IN REVEAL.
- EMERGENCY DISCONNECT SWITCH AS REQUIRED TO MEET U. L. AND APPLICABLE CODE REQUIREMENTS. SWITCH TO BE BOOTED ALL-WEATHER.
- ALUM. ANGLE FRAME AT BACK. MITER CUT, WELD, AND GRIND SMOOTH AT CORNERS. WELD TO ALUM. CHANNELS AT ENDS, PAINT FINISH ALL EXPOSED SURFACES WITH LIGHT ENHANCEMENT PAINT.
- .125" ALUM. BACK. PAINT FINISH EXTERIOR SURFACE PNC BLUE SATIN FINISH. PAINT FINISH INTERIOR SURFACE WITH LIGHT ENHANCEMENT PAINT. CONTINUE TO END OF CHANNELS. WELD TO ALUM. ANGLE FRAME AND CHANNELS.
- .25" ALUM FLAT STOCK STRIPS VERTICALLY AT CONNECTION POINTS. WELD TO BACK. PAINT FINISH WITH LIGHT ENHANCEMENT PAINT.
- 1"x2" ROLLED ALUM TUBE. HOLD SHORT AT ENDS TO ALLOW FOR CHANNEL STRUCTURES.
- .090" BREAK FORMED ALUM. LIGHT BAFFLE. WELD TO CHANNEL. SIZE TO ALLOW FOR COMPLETE CLOSURE OF SIGN FACE CONTINUOUS VERTICALLY.
- .125" ALUM. ROLLED ALUM "STOP" FOR SIGN FACE. WELD TO BOTTOM SIGN RETURN.
- ALUM. ANGLE(S) WELDED TO TOP AND BOTTOM SIGN RETURNS FOR STIFFNESS. SIZE AS REQUIRED. PAINT FINISH WITH LIGHT ENHANCEMENT PAINT.
- T-12 H.O. DAYLIGHT FLUORESCENT BULB(S) AS REQUIRED TO PROVIDE EVEN ILLUMINATION AT SIGN FACE WITHOUT HOT SPOTS OR SHADOWS. USE TOMBSTONE FIXTURES.
- U. L. APPROVED ELECTRICAL RACEWAY AS REQUIRED.
- WALL ANCHORS: SEE CHART
- PROVIDE WEEP HOLES WITH LIGHT SCREENS TO MEET U. L.
- LIFTING CLIPS TO BE REMOVED AFTER INSTALLATION AND REPLACED WITH PAN HEAD BOLTS PAINTED TO MATCH RETURN.
- SECURE HINGED FACE WITH COUNTERSUNK FLATHEAD STAINLESS STEEL SCREWS. PAINT TO MATCH CABINET.
- 2"x.125" ROLLED ALUM. FLAT STOCK WELDED TO TOP SIGN RETURN AS SHOWN.

GENERAL NOTES:

- ALL PAINTS TO BE TWO-PART POLY-URETHANE BY MATTHEWS. SATIN FINISH.
- ALL FILM TO BE ARLON UNLESS OTHERWISE STATED.
- ALL STEEL COMPONENTS TO BE PRIMED WITH ZINC INHIBITOR (DEVCON-Z OR EQUAL)
- ALL ELECTRICAL WORK TO MEET OR EXCEED U. L. REQUIREMENTS.
- ALL EXPOSED FASTENERS TO BE PAINTED TO MATCH CABINET.
- ELECTRICAL LEADS FROM THE BACK OF ILLUMINATED LETTERS TO BE A MINIMUM OF 6'-0" LONG AS MEASURED FROM THE BACK OF THE LETTER

DESIGN PARAMETERS:

- 2007 OHIO BUILDING CODE
WIND SPEED DATA
- BASIC WIND SPEED = 90 MPH (3 SEC. GUST)
 - WIND IMPORTANCE FACTOR 1.0
 - WIND EXPOSURE C
 - INTERNAL PRESSURE COEF. N/A
 - COMPONENT AND CLADDING N/A

PAINT COLORS	
1)	BLUE MATTHEWS MP31479
2)	LIGHT ENHANCEMENT MATTHEWS MP74200SP ZAP WHIT
3)	ORANGE MATTHEWS MP01229
4)	SILVER METALLIC MATTHEWS MP18101
5)	X
6)	X

VINYL COLORS	
1)	ORANGE ARLON 2500-2919
2)	WHITE ARLON 2500-20
3)	LT BLUE ARLON 2500-2869
4)	X
5)	X
6)	X

ELECTRICAL NOTES	
1)	F96T12DHO DAYLIGHT FLUORESCENT LAMPS (2)
2)	ESB216-12 BALLAST (1)
3)	DISCONNECT SWITCH
4)	PHOTOCELL
5)	X

ENCON SERVICES, INC.
AARON BIEDENBACH
2272 JAUDON ROAD
DOVER, FL 33527
813-655-3373
OHPE #60756, OC #01893

WALL SIGN CABINET SECTION
SCALE: NTS



THIS DRAWING IS THE PROPERTY OF THOMAS SIGN & AWNING CO. INC. ALL RIGHTS TO ITS USE FOR REPRODUCTION ARE RESERVED BY THOMAS SIGN & AWNING CO. INC., CLEARWATER, FL.

DATE	05-04-09	SHEET	2	OF	2
INSTALLATION ADDRESS	PNC BANK	ARTIST	JPM	DATE:	
CITY	WALL SIGN - CABINET SECTION	BH	REF	DATE:	
STATE		SALES REP		DATE:	
REVISION 3 X		APPROVED		DATE:	
REVISION 4 X		APPROVED AS NOTED		DATE:	
		REVISION		DATE:	

THOMAS SIGN & AWNING COMPANY, INC.
4590 118TH AVENUE NORTH • CLEARWATER, FL • 33762
800-526-3325 • 727-573-7757 • FAX 727-573-0328

EnCon Services, Inc.

Sign Design Calculations

Job Description
 PNC Bank
 701 North Perry
 Napoleon, Ohio
 W-30 wall sign
 Design per 2007 Ohio Building Code
 ASCE 7-05

PREPARED BY: EnCon Services, Inc.
 2272 Jaudon Road
 Dover, FL 33527
 813-655-3373
 F 813-655-9814

Aaron Biedenbach, P.E.
 FL PE #52949, FL EB 9394
 OH PE 60756, OC #01893
 KY PE #20281, P #2463
 IN PE #PE 19600322
 FL CBC #060535, QB #22527

Design Specifications

Importance Factor	1
Kzt	1
Exposure Factor	C
Kd	1
Kz	0.98
V	90 (mph)
GCp-GCpi	1.28 Zone 4, H < 60 Feet
Wind Pressure	26.0 (psf)

Sign Information

Height	3.00 (ft)
Width	10.42 (ft)
Thickness	1.00 (ft)
Distance grade to top	30 (ft)

Wind Shear Force 78.03 (lb)
 Weight of Sign 312.6 (lb)

Total Shear Force = 322.19 (lb)

Total Tension Force = 813.11 (lb)

	Required	Provided
Fastener size (Nominal)	3/8	3/8
Minimum number of fasteners	6	6
Shear Force per fastener (lb)	53.7	280
Tension Force per fastener (lb)	135.5	352

Combination Tension and Shear ratio **0.58 < 1 O.K.**

THREADED ROD THROUGH WALL IS PREFERRED IN ALL INSTANCES. IF IT IS NOT POSSIBLE TO USE THREADED ROD, SEE CHART BELOW FOR APPROPRIATE ANCHOR SELECTION. SIZE AND NUMBER REQUIRED ARE NOTED IN THE CHART ABOVE.

WALL STRUCTURE	ANCHOR TYPE
WOOD BLOCKING	LAG BOLT (3" EMBEDMENT) THROUGH BLOCKING
EIFS OVER 5/8" PLYWOOD	LIBERTY TOGGLE BOLT OR THRU BOLT WITH SLEEVE
HOLLOW CONCRETE BLOCK, BRICK	SLEEVE ANCHOR (1-1/2" EMBEDMENT)
SOLID CONCRETE	WEDGE ANCHOR (2-1/2" EMBEDMENT)
CMU, SOLID CONCRETE, BRICK	HILTI HIT ROD W/HY-20 ADHESIVE (3 1/2" EMBEDMENT)

ALL ANCHORS SHALL BE CHOSEN AND PLACED IN ACCORDANCE WITH MANUFACTURERS INSTALLATION INSTRUCTIONS



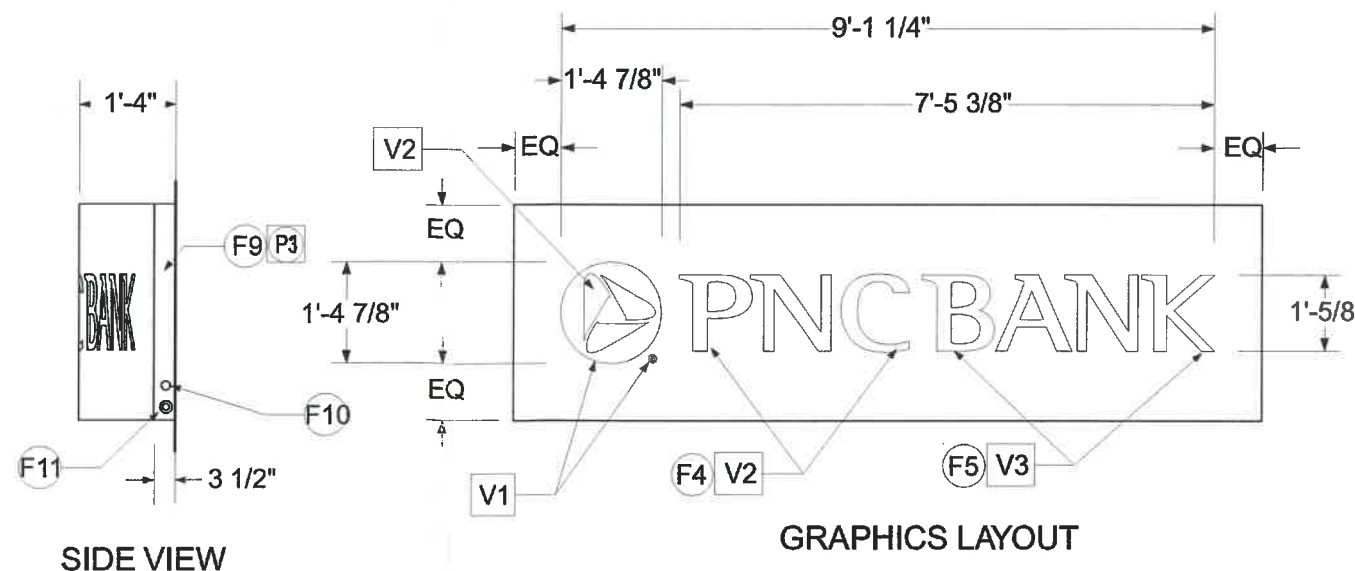
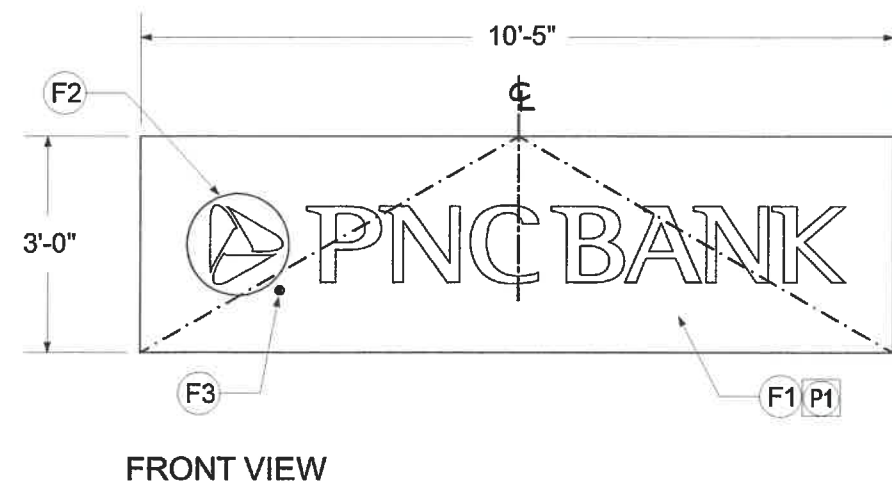
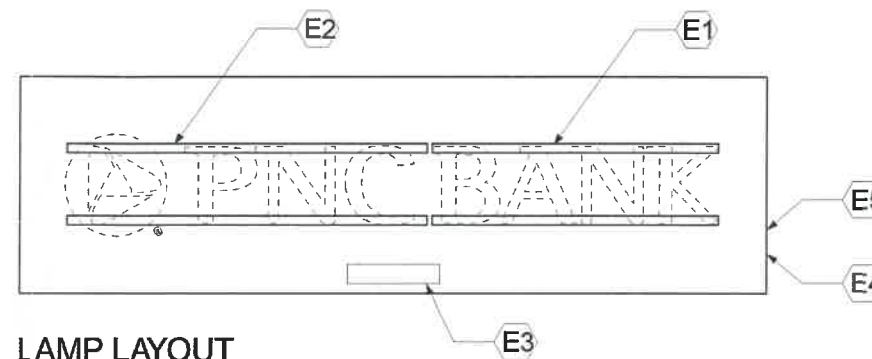
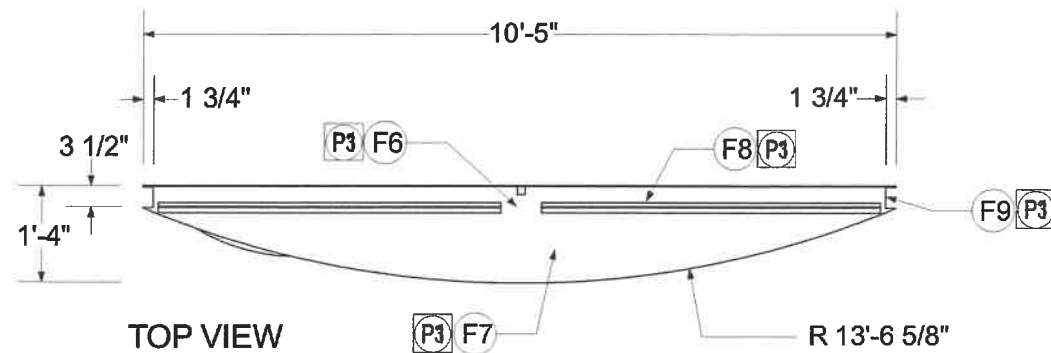
PNC BANK
701 NORTH PERRY
NAPOLEAN, OHIO

GENERAL NOTES:

- ALL PAINTS TO BE TWO-PART POLY-URETHANE BY MATTHEWS. SATIN FINISH.
- ALL FILM TO BE ARLON UNLESS OTHERWISE STATED.
- ALL STEEL COMPONENTS TO BE PRIMED WITH ZINC INHIBITOR (DEVCON-Z OR EQUAL)
- ALL ELECTRICAL WORK TO MEET OR EXCEED U. L. REQUIREMENTS.
- ALL EXPOSED FASTENERS TO BE PAINTED TO MATCH CABINET.
- ELECTRICAL LEADS FROM THE BACK OF ILLUMINATED LETTERS TO BE A MINIMUM OF 6'-0" LONG AS MEASURED FROM THE BACK OF THE LETTER

F1 FABRICATION NOTES P1 PAINT NOTES

V1 VINYL COLORS E1 ELECTRICAL NOTES



TOTAL SQFT = 31.25'

PART # PNCW-30

ESTIMATE # 67955

FABRICATION NOTES

- 1) .125" ROUTED ALUM SIGN FACE. FORM AS SHOWN. ROUTE COPY USING ARTWORK PROVIDED BY DESIGNER. PAINT FINISH EXPOSED EXTERIOR SURFACES PNC BLUE SATIN FINISH. PAINT FINISH ALL INTERIOR SURFACES WITH LIGHT ENHANCEMENT PAINT.
- 2) "POWERLINK" SYMBOL TO BE DROP FORMED. .116" CLEAR ACRYLIC (ACRYSTEEL OR APPROVED EQUAL). SECOND SURFACE DECORATE WITH PNC ORANGE TRANSLUCENT FILM. CUT AND DROP IN WHITE DETAIL USING PNC WHITE TRANSLUCENT FILM.
- 3) TRADEMARK REGISTRATION TO BE PNC ORANGE FILM FIRST SURFACE APPLIED. USE ARTWORK PROVIDED BY DESIGNER.
- 4) "PNC" TO BE BACKED WITH .116" CLEAR IMPACT MOD. ACRYLIC (ACRYSTEEL OR APPROVED EQUAL). SECOND SURFACE DECORATE WITH PNC WHITE TRANSLUCENT FILM.
- 5) "BANK" TO BE BACKED UP WITH .116" CLEAR IMPACT MOD. ACRYLIC (ACRYSTEEL OR APPROVED EQUAL). SECOND SURFACE DECORATE WITH PNC LT BLUE TRANSLUCENT FILM.
- 6) .125" ALUM SIGN CABINET RETURNS. FORM AS SHOWN. PAINT FINISH ALL EXPOSED EXTERIOR SURFACES PNC ORANGE SATIN FINISH. PAINT FINISH ALL EXPOSED INTERIOR SURFACES WITH LIGHT ENHANCEMENT PAINT.
- 7) .125" ALUM HINGED FACE RETURN. FORM AS SHOWN. PAINT FINISH ALL EXPOSED EXTERIOR SURFACES PNC ORANGE SATIN FINISH. ATTACH TO OPEN PIANO HINGE ON TOP.
- 8) STAINLESS STEEL 2" OPEN PIANO HINGE CONTINUOUS ACROSS TOP. PAINT FINISH PNC ORANGE SATIN FINISH.
- 9) ALUMINUM CHANNEL REVEAL AT SIDES AT SIDES. SIZE AS SHOWN. PAINT FINISH PNC ORANGE SATIN FINISH. WELD TO .125" ALUM. CABINET RETURNS TOP & BOTTOM.
- 10) PHOTOCELL REQUIRED TO BE IN REVEAL.
- 11) EMERGENCY DISCONNECT SWITCH AS REQUIRED TO MEET U. L. AND APPLICABLE CODE REQUIREMENTS. SWITCH TO BE BOOTED ALL-WEATHER.

PAINT COLORS

- 1) BLUE MATTHEWS MP31479
- 2) LIGHT ENHANCEMENT MATTHEWS MP74200SP ZAP WHT
- 3) ORANGE MATTHEWS MP01229
- 4) SILVER METALLIC MATTHEWS MP18101
- 5) X
- 6) X

VINYL COLORS

- 1) ORANGE ARLON 2500-2919
- 2) WHITE ARLON 2500-20
- 3) LT BLUE ARLON 2500-2869
- 4) X
- 5) X
- 6) X

ELECTRICAL NOTES

- 1) F60T12DHO DAYLIGHT FLUORESCENT LAMPS (2)
- 2) F48T12DHO DAYLIGHT FLUORESCENT LAMPS (2)
- 3) ESB432-14 BALLAST (1)
- 4) DISCONNECT SWITCH
- 5) PHOTOCELL

ENCON SERVICES, INC.
AARON BIEDENBACH
2272 JAUDON ROAD
DOVER, FL 33527
813-655-3373
OHPE #60756, OC #01893

W-30 WALL SIGN
SCALE: 3/8" = 1'-0"

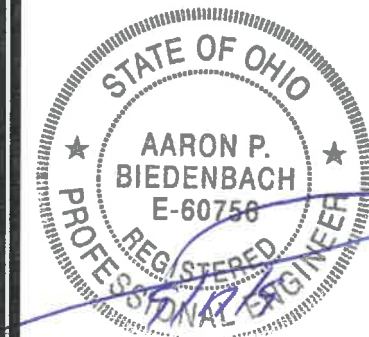
ELECTRICAL SPECIFICATIONS

BALLAST #	LAMP CURRENT	MAX LINE CURRENT AMPS	MAX INPUT WATTS	OPEN CIRCUIT VOLTAGE
1 ESB432-14	.800	2.34	280	600
X X	X	X	X	X
X X	X	X	X	X
TOTAL		2.34	280	

(1) 20 AMP-120 VOLT CIRCUIT REQUIRED

UL Underwriters Laboratories Inc.
LISTED
ELECTRIC SIGN
COMPLIESTOUL48

THIS ARTICLE IS INTENDED TO BE INSTALLED IN ACCORDANCE WITH THE REQUIREMENTS OF ARTICLE 600 OF THE NATIONAL ELECTRICAL CODE AND/OR OTHER APPLICABLE LOCAL CODES. THIS INCLUDES PROPER GROUNDING AND BONDING OF THIS SIGN.



THIS DRAWING IS THE PROPERTY OF THOMAS SIGN & AWNING CO. INC. ALL RIGHTS TO IT'S USE FOR REPRODUCTION ARE RESERVED BY THOMAS SIGN & AWNING CO. INC., CLEARWATER, FL

DATE: 08-27-09
SHEET: 1 OF 2
ARTIST: DSJ
SALES REP: BH
STATE: X
CITY: X
REVISION 3: X
REVISION 4: X

CLIENT: PNC BANK
DESIGN NUMBER: W-30 WALL SIGN LAYOUT
REVISION 1: X
REVISION 2: X

THOMAS SIGN & AWNING COMPANY, INC.
4590 118TH AVENUE NORTH CLEARWATER, FL 33762
800-526-3325 • 727-573-7757 • FAX 727-573-0328

PNC BANK
701 NORTH PERRY
NAPOLEAN, OHIO

SIGN MOUNTING HEIGHT TO BE 30FT MAXIMUM

ANCHOR TO BE THRU BOLTS IF POSSIBLE, ALTERNATE ANCHORS PER WALL TYPE SHOWN BELOW FOR USE IF THRU BOLTING IS NOT POSSIBLE

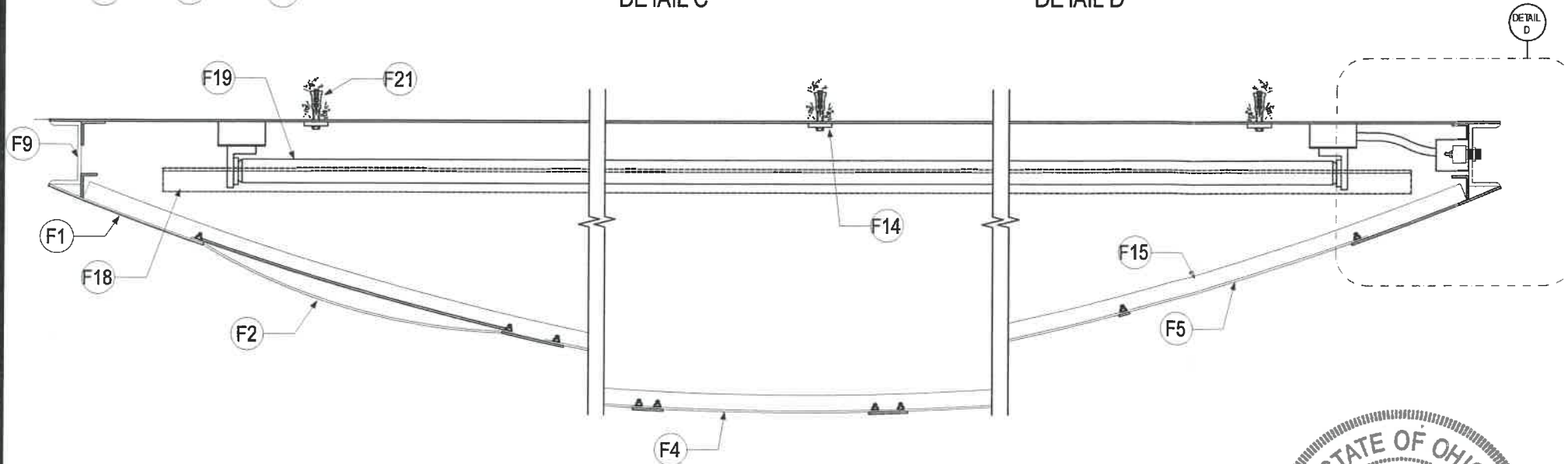
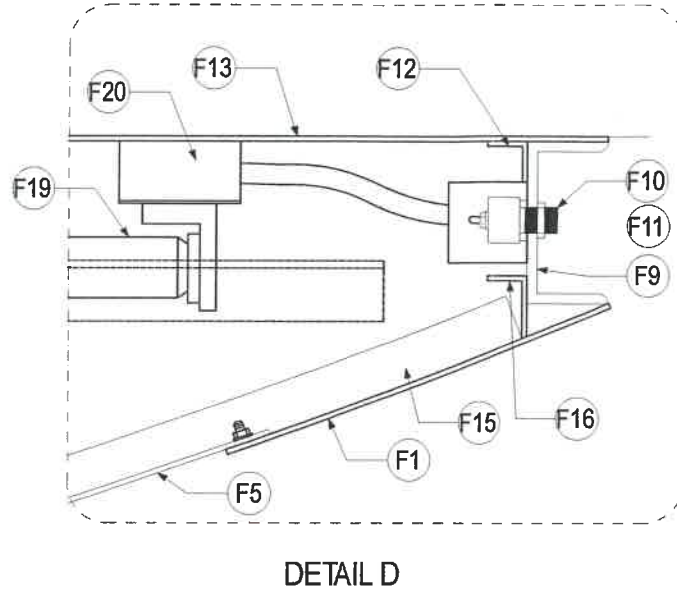
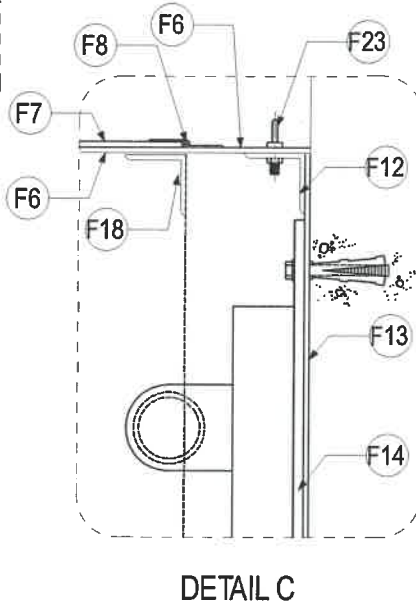
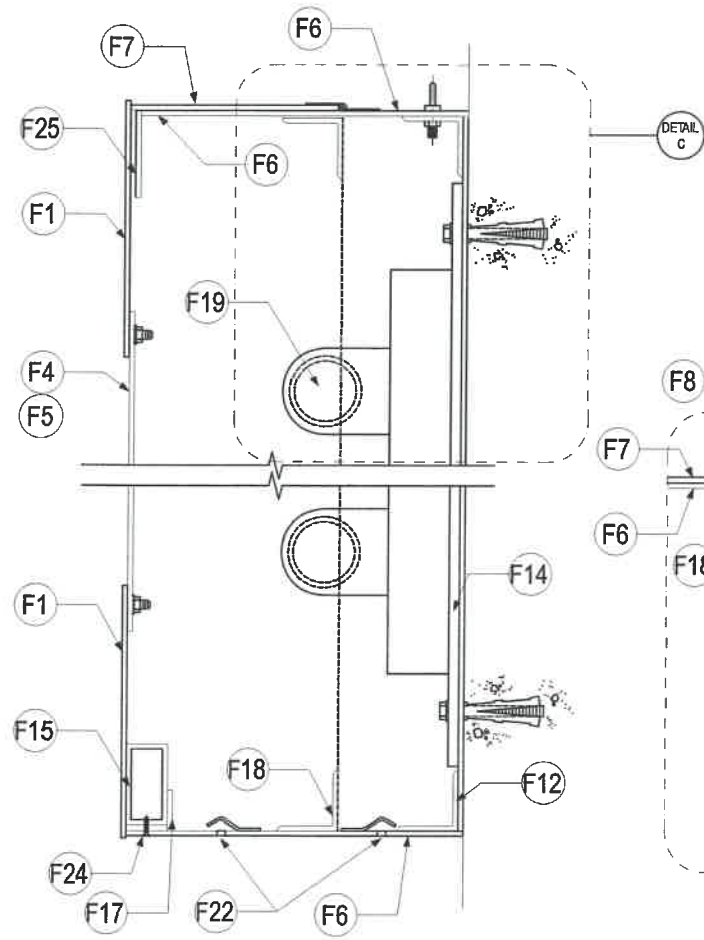
F1 FABRICATION NOTES P1 PAINT NOTES
V1 VINYL COLORS E1 ELECTRICAL NOTES

ANCHOR SCHEDULE: 3/8" DIA. ANCHORS
QUANTITY: (6) REQUIRED

WALL STRUCTURE	ANCHOR TYPE
WOOD BLOCKING	LAG BOLT (3" EMBEDMENT) THRU BLOCKING
EIFS OVER 5/8" PLYWOOD	LIBERTY TOGGLE BOLT OR THRU BOLT WITH SLEEVE
HOLLOW CONCRETE BLOCK, BRICK	SLEEVE ANCHOR (1-1/2" EMBEDMENT)
SOLID CONCRETE	WEDGE ANCHOR (2-1/2" EMBEDMENT)
CMU, SOLID CONCRETE, BRICK	HILTI HIT ROD W/HY-20 ADHESIVE (3 1/2" EMBEDMENT)

NOTE: PROVIDE PROP RODS AS REQUIRED FOR ALL HINGED FACES TO PROVIDE ADEQUATE ACCESS WHILE SERVICING SIGNS

ALL ANCHORS SHALL BE CHOSEN AND PLACED IN ACCORDANCE WITH MANUFACTURERS INSTALLATION INSTRUCTIONS



TOTAL SQFT= 25.0'

PART # PNCW-25

ESTIMATE # 66810

FABRICATION NOTES

- 1) .125" ROUTED ALUM SIGN FACE FORM AS SHOWN. ROUTE COPY USING ARTWORK PROVIDED BY DESIGNER. PAINT FINISH EXPOSED EXTERIOR SURFACES PNC BLUE SATIN FINISH. PAINT FINISH ALL INTERIOR SURFACES WITH LIGHT ENHANCEMENT PAINT.
- 2) "POWERLINK" SYMBOL TO BE DROP FORMED .118" CLEAR ACRYLIC (ACRYSTEEL OR APPROVED EQUAL). SECOND SURFACE DECORATE WITH PNC ORANGE TRANSLUCENT FILM. CUT AND DROP IN WHITE DETAIL USING PNC WHITE TRANSLUCENT FILM.
- 3) TRADEMARK REGISTRATION TO BE PNC ORANGE FILM FIRST SURFACE APPLIED. USE ARTWORK PROVIDED BY DESIGNER.
- 4) "PNC" TO BE BACKED WITH .118" CLEAR IMPACT MOD. ACRYLIC (ACRYSTEEL OR APPROVED EQUAL) SECOND SURFACE DECORATE WITH PNC WHITE TRANSLUCENT FILM.
- 5) "BANK" TO BE BACKED UP WITH .118" CLEAR IMPACT MOD. ACRYLIC (ACRYSTEEL OR APPROVED EQUAL) SECOND SURFACE DECORATE WITH PNC LT BLUE TRANSLUCENT FILM.
- 6) .125" ALUM SIGN CABINET RETURNS. FORM AS SHOWN. PAINT FINISH ALL EXPOSED EXTERIOR SURFACES PNC ORANGE SATIN FINISH. PAINT FINISH ALL EXPOSED INTERIOR SURFACES WITH LIGHT ENHANCEMENT PAINT.
- 7) .125" ALUM HINGED FACE RETURN. FORM AS SHOWN. PAINT FINISH ALL EXPOSED EXTERIOR SURFACES PNC ORANGE SATIN FINISH. ATTACH TO OPEN PIANO HINGE ON TOP.
- 8) STAINLESS STEEL 2" OPEN PIANO HINGE CONTINUOUS ACROSS TOP. PAINT FINISH PNC ORANGE SATIN FINISH.
- 9) ALUMINUM CHANNEL REVEAL AT SIDES AT SIDES. SIZE AS SHOWN. PAINT FINISH PNC ORANGE SATIN FINISH. WELD TO .125" ALUM. CABINET RETURNS TOP & BOTTOM.
- 10) PHOTOCELL REQUIRED TO BE IN REVEAL.
- 11) EMERGENCY DISCONNECT SWITCH AS REQUIRED TO MEET U. L. AND APPLICABLE CODE REQUIREMENTS. SWITCH TO BE BOOTED ALL-WEATHER.
- 12) ALUM. ANGLE FRAME AT BACK. MITER CUT, WELD, AND GRIND SMOOTH AT CORNERS. WELD TO ALUM. CHANNELS AT ENDS, PAINT FINISH ALL EXPOSED SURFACES WITH LIGHT ENHANCEMENT PAINT.
- 13) .125" ALUM. BACK. PAINT FINISH EXTERIOR SURFACE PNC BLUE SATIN FINISH. PAINT FINISH INTERIOR SURFACE WITH LIGHT ENHANCEMENT PAINT. CONTINUE TO END OF CHANNELS. WELD TO ALUM. ANGLE FRAME AND CHANNELS.
- 14) .25" ALUM FLAT STOCK STRIPS VERTICALLY AT CONNECTION POINTS. WELD TO BACK. PAINT FINISH WITH LIGHT ENHANCEMENT PAINT.
- 15) 1"x2" ROLLED ALUM. TUBE. HOLD SHORT AT ENDS TO ALLOW FOR CHANNEL STRUCTURES.
- 16) .090" BREAK FORMED ALUM. LIGHT BAFFLE. WELD TO CHANNEL. SIZE TO ALLOW FOR COMPLETE CLOSURE OF SIGN FACE CONTINUOUS VERTICALLY.
- 17) .125" ALUM. ROLLED ALUM. "STOP" FOR SIGN FACE. WELD TO BOTTOM SIGN RETURN.
- 18) ALUM. ANGLE(S) WELDED TO TOP AND BOTTOM SIGN RETURNS FOR STIFFNESS. SIZE AS REQUIRED. PAINT FINISH WITH LIGHT ENHANCEMENT PAINT.
- 19) T-12 H.O. DAYLIGHT FLUORESCENT BULB(S) AS REQUIRED TO PROVIDE EVEN ILLUMINATION AT SIGN FACE WITHOUT HOT SPOTS OR SHADOWS. USE TOMBSTONE FIXTURES.
- 20) U. L. APPROVED ELECTRICAL RACEWAY AS REQUIRED.
- 21) WALL ANCHORS: SEE CHART
- 22) PROVIDE WEEP HOLES WITH LIGHT SCREENS TO MEET U. L.
- 23) LIFTING CLIPS TO BE REMOVED AFTER INSTALLATION AND REPLACED WITH PAN HEAD BOLTS PAINTED TO MATCH RETURN.
- 24) SECURE HINGED FACE WITH COUNTERSUNK FLATHEAD STAINLESS STEEL SCREWS. PAINT TO MATCH CABINET.
- 25) 2"x.125" ROLLED ALUM. FLAT STOCK WELDED TO TOP SIGN RETURN AS SHOWN.

GENERAL NOTES:

- ALL PAINTS TO BE TWO-PART POLY-URETHANE BY MATTHEWS. SATIN FINISH.
- ALL FILM TO BE ARLON UNLESS OTHERWISE STATED.
- ALL STEEL COMPONENTS TO BE PRIMED WITH ZINC INHIBITOR (DEVCON-Z OR EQUAL)
- ALL ELECTRICAL WORK TO MEET OR EXCEED U. L. REQUIREMENTS.
- ALL EXPOSED FASTENERS TO BE PAINTED TO MATCH CABINET.
- ELECTRICAL LEADS FROM THE BACK OF ILLUMINATED LETTERS TO BE A MINIMUM OF 6'-0" LONG AS MEASURED FROM THE BACK OF THE LETTER

DESIGN PARAMETERS:

- 2007 OHIO BUILDING CODE
WIND SPEED DATA
1. BASIC WIND SPEED = 90 MPH (3 SEC. GUST)
 2. WIND IMPORTANCE FACTOR 1.0
 3. WIND EXPOSURE C
 4. INTERNAL PRESSURE COEF. N/A
 5. COMPONENT AND CLADDING N/A

PAINT COLORS

- 1) BLUE MATTHEWS MP31479
- 2) LIGHT ENHANCEMENT MATTHEWS MP742006P ZAP WHT
- 3) ORANGE MATTHEWS MP01229
- 4) SILVER METALLIC MATTHEWS NP18101
- 5) X
- 6) X

VINYL COLORS

- 1) ORANGE ARLON 2500-2919
- 2) WHITE ARLON 2500-20
- 3) LT BLUE ARLON 2500-2869
- 4) X
- 5) X
- 6) X

ELECTRICAL NOTES

- 1) F96T12DHO DAYLIGHT FLUORESCENT LAMPS (2)
- 2) ESB216-12 BALLAST (1)
- 3) DISCONNECT SWITCH
- 4) PHOTOCELL
- 5) X

ENCON SERVICES, INC.
AARON BIEDENBACH
2272 JAUDON ROAD
DOVER, FL 33527
813-655-3373
OHPE #60756, OC #01893

WALL SIGN CABINET SECTION
SCALE: NTS



THIS DRAWING IS THE PROPERTY OF THOMAS SIGN & AWNING CO., INC. ALL RIGHTS TO ITS USE FOR REPRODUCTION ARE RESERVED BY THOMAS SIGN & AWNING CO., INC., CLEARWATER, FL.

DATE	05-04-09	SHEET	2	OF	2
CLIENT	PNC BANK	ARTIST	JPM	DATE:	
DESIGN NUMBER	WALL SIGN - CABINET SECTION	SALES REP	BH	DATE:	
REVISION 1:X		APPROVED		DATE:	
REVISION 2:X		APPROVED AS NOTED		DATE:	
		REQUIRE AND RESUBMIT		DATE:	

INSTALLATION ADDRESS CITY REVISION 3:X REVISION 4:X

THOMAS SIGN & AWNING COMPANY, INC.
4590 118TH AVENUE NORTH • CLEARWATER, FL • 33762
800-526-3325 • 727-573-7757 • FAX 727-573-0328

EnCon Services, Inc.

Sign Design Calculations

Job Description
 PNC Bank
 701 North Perry
 Napoleon, Ohio
 W-30 wall sign
 Design per 2007 Ohio Building Code
 ASCE 7-05

PREPARED BY: EnCon Services, Inc.
 2272 Jaudon Road
 Dover, FL 33527
 813-655-3373
 F 813-655-9814

Aaron Biedenbach, P.E.
 FL PE #52949, FL EB 9394
 OH PE 60756, OC #01893
 KY PE #20281, P #2463
 IN PE #PE 19600322
 FL CBC #060535, QB #22527

Design Specifications

Importance Factor	1
Kzt	1
Exposure Factor	C
Kd	1
Kz	0.98
V	90 (mph)
GCp-GCpi	1.28 Zone 4, H < 60 Feet
Wind Pressure	26.0 (psf)

Sign Information

Height	3.00 (ft)
Width	10.42 (ft)
Thickness	1.00 (ft)
Distance grade to top	30 (ft)

Wind Shear Force 78.03 (lb)
 Weight of Sign 312.6 (lb)

Total Shear Force = 322.19 (lb)

Total Tension Force = 813.11 (lb)



	Required	Provided
Fastener size (Nominal)	3/8	3/8
Minimum number of fasteners	6	6
Shear Force per fastener (lb)	53.7	280
Tension Force per fastener (lb)	135.5	352

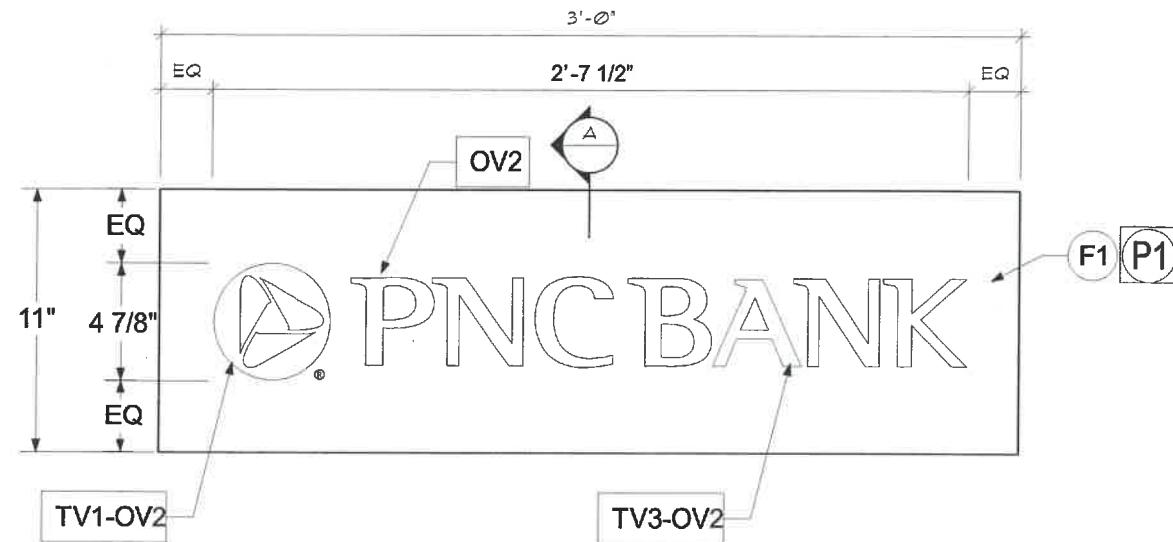
Combination Tension and Shear ratio **0.58 < 1 O.K.**

THREADED ROD THROUGH WALL IS PREFERRED IN ALL INSTANCES. IF IT IS NOT POSSIBLE TO USE THREADED ROD, SEE CHART BELOW FOR APPROPRIATE ANCHOR SELECTION. SIZE AND NUMBER REQUIRED ARE NOTED IN THE CHART ABOVE.

WALL STRUCTURE	ANCHOR TYPE
WOOD BLOCKING	LAG BOLT (3" EMBEDMENT) THROUGH BLOCKING
EIFS OVER 5/8" PLYWOOD	LIBERTY TOGGLE BOLT OR THRU BOLT WITH SLEEVE
HOLLOW CONCRETE BLOCK, BRICK	SLEEVE ANCHOR (1-1/2" EMBEDMENT)
SOLID CONCRETE	WEDGE ANCHOR (2-1/2" EMBEDMENT)
CMU, SOLID CONCRETE, BRICK	HILTI HIT ROD WHY-20 ADHESIVE (3 1/2" EMBEDMENT)

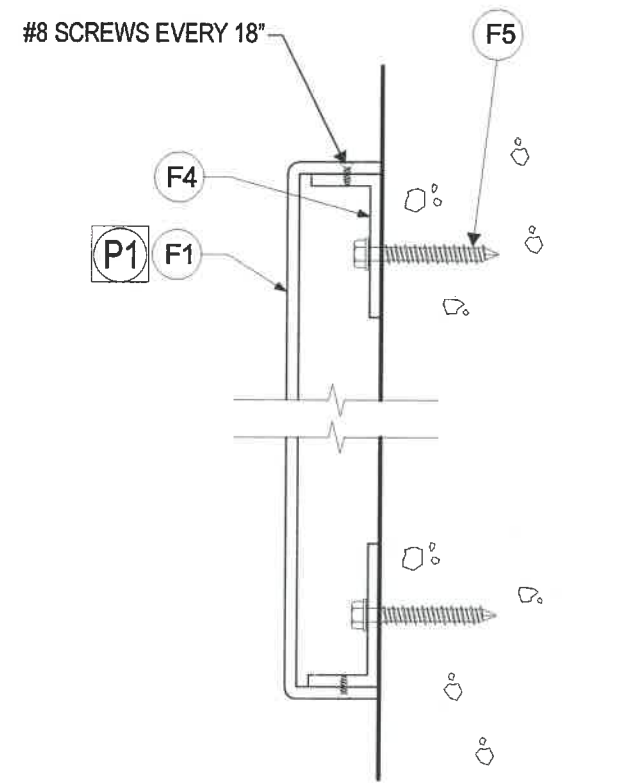
ALL ANCHORS SHALL BE CHOSEN AND PLACED IN ACCORDANCE WITH MANUFACTURERS INSTALLATION INSTRUCTIONS

PNC BANK
701 NORTH PERRY
NAPOLEAN, OHIO



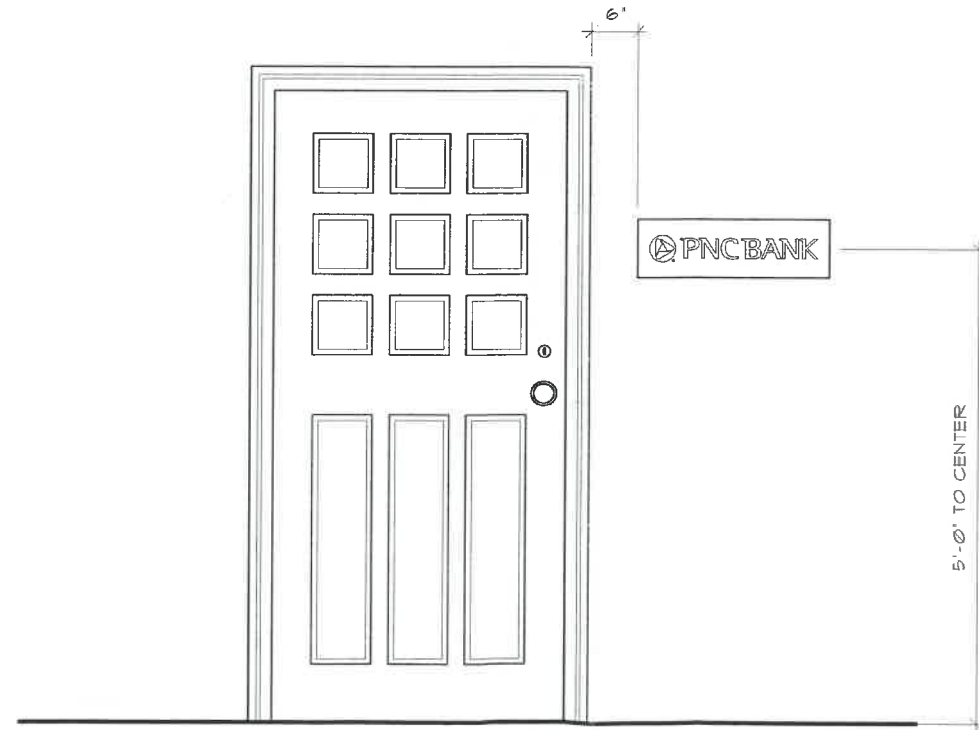
① WP-1 - DOOR PLAQUE
SCALE: 1/2"=1'-0"

② SIDE VIEW
SCALE: 1/2"=1'-0"



③ DETAIL
SCALE: 6"=1'-0"

F5 MOUNTING HARDWARE: (4) ANCHORS REQUIRED
#12 x 3" LONG SCREWS INTO 5/8" PLYWOOD OVER STUD FRAMED WALL
OR 3/16" DIA. TAPCON MASONRY SCREWS INTO CONCRETE OR BRICK WALL (1-1/2" EMBEDMENT)



④ TYPICAL INSTALLATION
SCALE: 1/2"=1'-0"

SIGN MOUNTING HEIGHT TO BE 30FT MAXIMUM
ALL ANCHORS SHALL BE CHOSEN AND PLACED IN ACCORDANCE
WITH MANUFACTURERS INSTALLATION INSTRUCTIONS

DESIGN PARAMETERS:
2007 OHIO BUILDING CODE
WIND SPEED DATA
1. BASIC WIND SPEED = 90 MPH
(3 SEC. GUST)
2. WIND IMPORTANCE FACTOR 1.0
3. WIND EXPOSURE C
4. INTERNAL PRESSURE COEF. N/A
5. COMPONENT AND CLADDING N/A

DOOR PLAQUE
SCALE: NOTED

F1 FABRICATION NOTES P1 PAINT NOTES
V1 VINYL COLORS E1 ELECTRICAL NOTES

TOTAL SQFT= 2.75'
PART # PNCWP1RET
ESTIMATE # 65603

FABRICATION NOTES
1) .125" PAN FORMED ALUM.
2) WHITE VINYL COPY 'PNC WEALTH MANAGEMENT'
3) ORANGE VINYL OVER WHITE 'POWERLINK'
4) 3/4"x1 1/2"x.125" ALUM ANGE MOUNTING CLIPS
5) WALL FASTENERS - AS NOTED
6) X

PAINT COLORS
1) BLUE MATTHEWS MP31479
2) LIGHT ENHANCEMENT MATTHEWS MP74200SP ZAP WHT
3) ORANGE MATTHEWS MP01229
4) SILVER METALLIC MATTHEWS MP18101
5) LT BLUE MATTHEWS MP23162
6) WHITE MATTHEWS MP6425SP HIGH HIDE

TRANSLUCENT VINYL COLORS
1) ORANGE ARLON 2500-2919
2) WHITE ARLON 2500-20
3) LT BLUE ARLON 2500-2869
4) DIFFUSER ARLON 6500-30
5) X
6) X

OPAQUE VINYL COLORS
1) BLUE ARLON 2914 DUAL COLOR (PERF)
2) WHITE ARLON 2100-02
3) REFLECTIVE WHITE ARLON 2400-02
4) X
5) X
6) X

GENERAL NOTES:
- ALL PAINTS TO BE TWO-PART POLY-URETHANE BY MATTHEWS. SATIN FINISH.
- ALL FILM TO BE ARLON UNLESS OTHERWISE STATED.
- ALL STEEL COMPONENTS TO BE PRIMED WITH ZINC INHIBITOR (DEVCON-Z OR EQUAL)
- ALL ELECTRICAL WORK TO MEET OR EXCEED U. L. REQUIREMENTS.
- ALL EXPOSED FASTENERS TO BE PAINTED TO MATCH CABINET.
- ELECTRICAL LEADS FROM THE BACK OF ILLUMINATED LETTERS TO BE A MINIMUM OF 6'-0" LONG AS MEASURED FROM THE BACK OF THE LETTER

ENCON SERVICES, INC.
AARON BIEDENBACH
2272 JAUDON ROAD
DOVER, FL 33527
813-655-3373
OHPE #60756, OC #01893



THIS DRAWING IS THE PROPERTY OF THOMAS SIGN & AWNING CO., INC. ALL RIGHTS TO IT'S USE FOR REPRODUCTION ARE RESERVED BY THOMAS SIGN & AWNING CO., INC., CLEARWATER, FL

CLIENT	PNC BANK
DESIGN NUMBER	WP-1 DOOR PLAQUE
REVISION 1:	X
REVISION 2:	X
INSTALLATION ADDRESS	X
CITY	X
STATE	X
DATE	06-25-09
SHEET	1 OF 1
ARTIST	JPM
SALES REP	BH
APPROVED	<input type="checkbox"/>
APPROVED AS NOTED	<input type="checkbox"/>
REVISIT AND RESUBMIT	<input type="checkbox"/>

THOMAS SIGN & AWNING COMPANY, INC.
4590 118TH AVENUE NORTH CLEARWATER, FL 33762
800-626-3325 • 727-573-7757 • FAX 727-573-0328

EnCon Services, Inc.

Sign Design Calculations

Job Description
 PNC Bank
 701 North Perry
 Napoleon, Ohio
 11" x 36" Door Plaque
 Design per 2007 Ohio Building Code
 ASCE 7-05

PREPARED BY: EnCon Services, Inc.
 2272 Jaudon Road
 Dover, FL 33527
 813-655-3373
 F 813-655-9814

Aaron Biedenbach, P.E.
 FL PE #52949, FL EB 9394
 OH PE 60756, OC #01893
 KY PE #20281, P #2463
 IN PE #PE 19600322
 FL CBC #060535, QB #22527

Design Specifications

Importance Factor	1
Kzt	1
Exposure Factor	C
Kd	1
Kz	0.98
V	90 (mph)
GCp-GCpi	1.28 Zone 4, H < 60 Feet
Wind Pressure	26.0 (psf)

Sign Information

Height	0.92 (ft)
Width	3.00 (ft)
Thickness	0.08 (ft)
Distance grade to top	30 (ft)

Wind Sheer Force	1.91 (lb)
Weight of Sign	27.6 (lb)

Total Sheer Force = 27.67 (lb)

Total Tension Force = 71.79 (lb)

	Required	Provided
Fastener size (Nominal)	3/16" or #12	3/16" or #12
Minimum number of fasteners	4	4
Sheer Force per fastener (lb)	6.9	147
Tension Force per fastener (lb)	17.9	80

Combination Tension and Sheer ratio **0.27 < 1 O.K.**

THREADED ROD THROUGH WALL IS PREFERRED IN ALL INSTANCES. IF IT IS NOT POSSIBLE TO USE THREADED ROD, SEE CHART BELOW FOR APPROPRIATE ANCHOR SELECTION. SIZE AND NUMBER REQUIRED ARE NOTED IN THE CHART ABOVE.

WALL STRUCTURE	ANCHOR TYPE
EIFS OVER 5/8" PLYWOOD	#12 X 3" LONG SCREW THROUGH PLYWOOD
CONCRETE, BRICK	3/16" DIA. MASONRY SCREW (1-1/2" EMBEDMENT)

ALL ANCHORS SHALL BE CHOSEN AND PLACED IN ACCORDANCE WITH MANUFACTURERS INSTALLATION INSTRUCTIONS

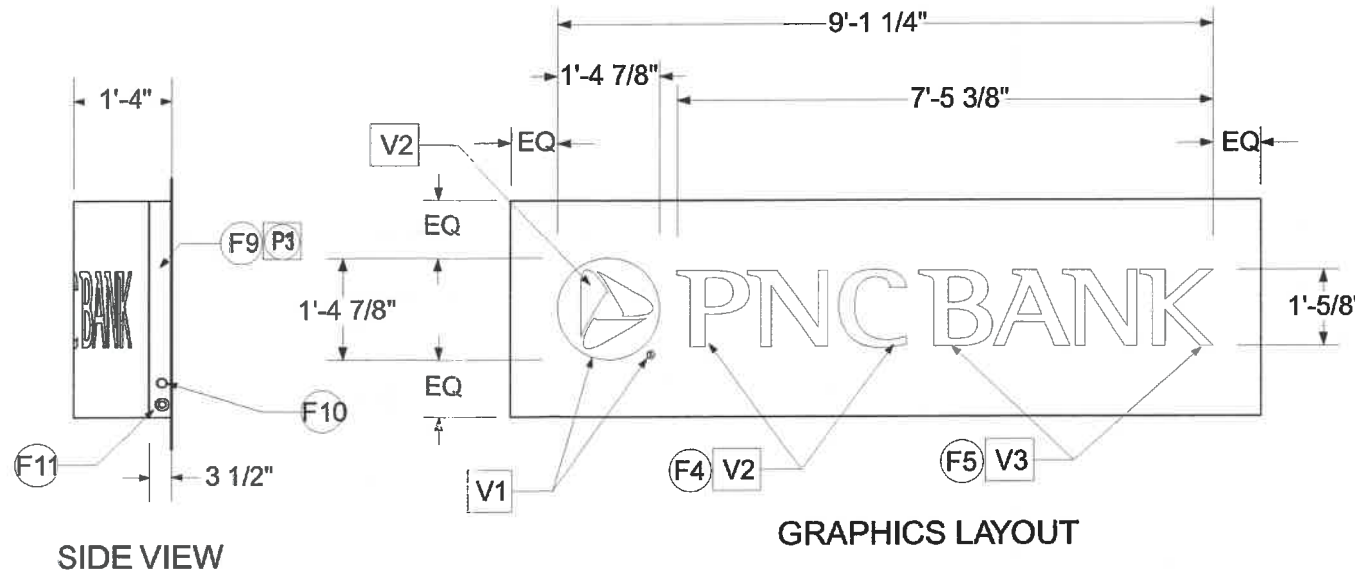
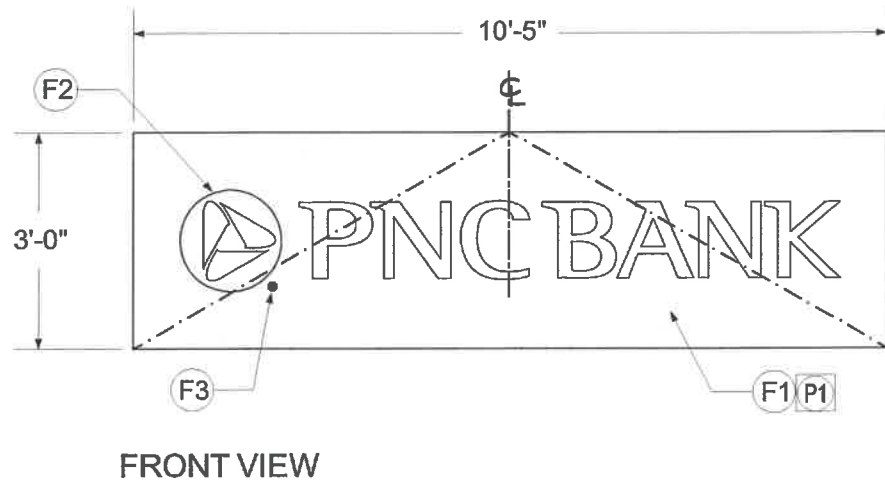
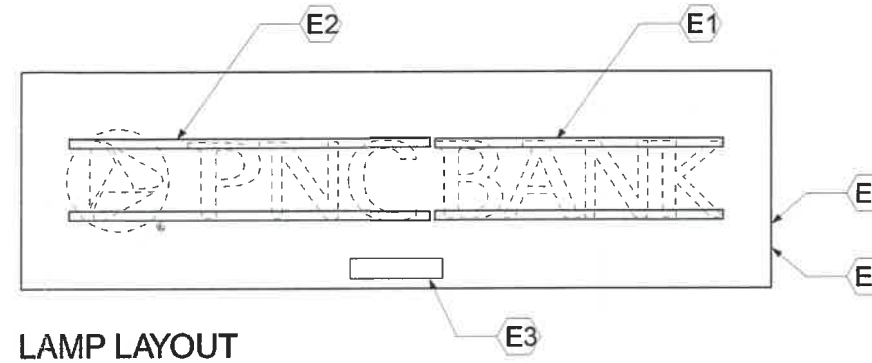
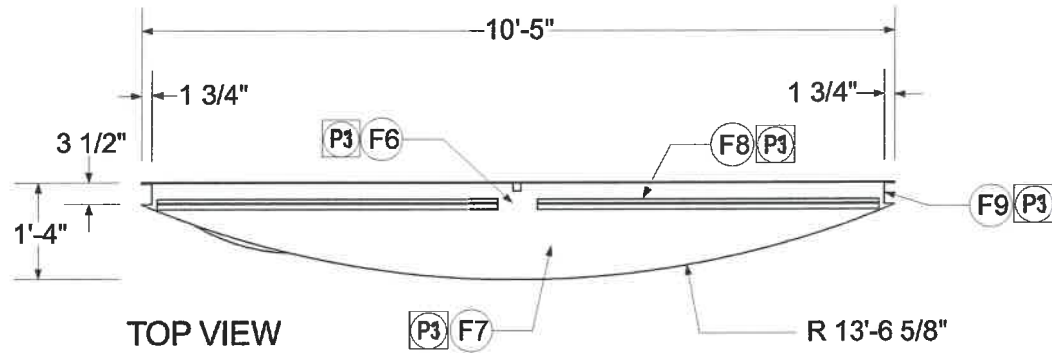


PNC BANK
701 NORTH PERRY
NAPOLEAN, OHIO

GENERAL NOTES:

- ALL PAINTS TO BE TWO-PART POLY-URETHANE BY MATTHEWS. SATIN FINISH.
- ALL FILM TO BE ARLON UNLESS OTHERWISE STATED.
- ALL STEEL COMPONENTS TO BE PRIMED WITH ZINC INHIBITOR (DEVCON-Z OR EQUAL)
- ALL ELECTRICAL WORK TO MEET OR EXCEED U. L. REQUIREMENTS.
- ALL EXPOSED FASTENERS TO BE PAINTED TO MATCH CABINET.
- ELECTRICAL LEADS FROM THE BACK OF ILLUMINATED LETTERS TO BE A MINIMUM OF 6'-0" LONG AS MEASURED FROM THE BACK OF THE LETTER

- (F1) FABRICATION NOTES (P1) PAINT NOTES
- (V1) VINYL COLORS (E1) ELECTRICAL NOTES



W-30 WALL SIGN
SCALE: 3/8" = 1'-0"

ELECTRICAL SPECIFICATIONS				
PLASTIC SIGN BALLAST-HIGH OUTPUT 800 MA AT 120 VOLT 60 HZ				
BALLAST #	LAMP CURRENT	MAX LINE CURRENT	MAX INPUT WATTS	OPEN CIRCUIT VOLTAGE
1 ESB432-14	.800	2.34	280	600
X X	X	X	X	X
X X	X	X	X	X
TOTAL		2.34	280	
(1) 20 AMP-120 VOLT CIRCUIT REQUIRED				

UL Underwriters Laboratories Inc.
LISTED
ELECTRIC SIGN
COMPLIESTOUL48

THIS ARTICLE IS INTENDED TO BE INSTALLED IN ACCORDANCE WITH THE REQUIREMENTS OF ARTICLE 600 OF THE NATIONAL ELECTRICAL CODE AND/OR OTHER APPLICABLE LOCAL CODES. THIS INCLUDES PROPER GROUNDING AND BONDING OF THIS SIGN.

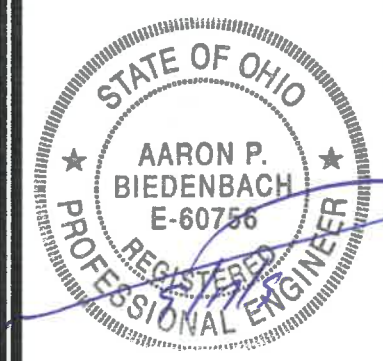
TOTAL SQFT= 31.25'
PART # PNCW-30
ESTIMATE # 67955

FABRICATION NOTES

- .125" ROUTED ALUM SIGN FACE FORM AS SHOWN. ROUTE COPY USING ARTWORK PROVIDED BY DESIGNER. PAINT FINISH EXPOSED EXTERIOR SURFACES PNC BLUE SATIN FINISH. PAINT FINISH ALL INTERIOR SURFACES WITH LIGHT ENHANCEMENT PAINT.
- "POWERLINK" SYMBOL TO BE DROP FORMED .118" CLEAR ACRYLIC (ACRYSTEEL OR APPROVED EQUAL) SECOND SURFACE DECORATE WITH PNC ORANGE TRANSLUCENT FILM. CUT AND DROP IN WHITE DETAIL USING PNC WHITE TRANSLUCENT FILM.
- TRADEMARK REGISTRATION TO BE PNC ORANGE FILM FIRST SURFACE APPLIED. USE ARTWORK PROVIDED BY DESIGNER.
- "PNC" TO BE BACKED WITH .118" CLEAR IMPACT MOD. ACRYLIC (ACRYSTEEL OR APPROVED EQUAL) SECOND SURFACE DECORATE WITH PNC WHITE TRANSLUCENT FILM.
- "BANK" TO BE BACKED UP WITH .118" CLEAR IMPACT MOD. ACRYLIC (ACRYSTEEL OR APPROVED EQUAL) SECOND SURFACE DECORATE WITH PNC LT BLUE TRANSLUCENT FILM.
- .125" ALUM SIGN CABINET RETURNS. FORM AS SHOWN. PAINT FINISH ALL EXPOSED EXTERIOR SURFACES PNC ORANGE SATIN FINISH. PAINT FINISH ALL EXPOSED INTERIOR SURFACES WITH LIGHT ENHANCEMENT PAINT.
- .125" ALUM HINGED FACE RETURN. FORM AS SHOWN. PAINT FINISH ALL EXPOSED EXTERIOR SURFACES PNC ORANGE SATIN FINISH. ATTACH TO OPEN PIANO HINGE ON TOP.
- STAINLESS STEEL 2" OPEN PIANO HINGE CONTINUOUS ACROSS TOP. PAINT FINISH PNC ORANGE SATIN FINISH.
- ALUMINUM CHANNEL REVEAL AT SIDES AT SIDES. SIZE AS SHOWN. PAINT FINISH PNC ORANGE SATIN FINISH. WELD TO .125" ALUM. CABINET RETURNS TOP & BOTTOM.
- PHOTOCELL REQUIRED TO BE IN REVEAL.
- EMERGENCY DISCONNECT SWITCH AS REQUIRED TO MEET U. L. AND APPLICABLE CODE REQUIREMENTS. SWITCH TO BE BOOTED ALL-WEATHER.

- PAINT COLORS
- BLUE MATTHEWS MP31479
 - LIGHT ENHANCEMENT MATTHEWS MP74200SP ZAP WHT
 - ORANGE MATTHEWS MP01229
 - SILVER METALLIC MATTHEWS MP18101
 - X
 - X
- VINYL COLORS
- ORANGE ARLON 2500-2919
 - WHITE ARLON 2500-20
 - LT BLUE ARLON 2500-2869
 - X
 - X
 - X
- ELECTRICAL NOTES
- F60T12DHO DAYLIGHT FLUORESCENT LAMPS (2)
 - F48T12DHO DAYLIGHT FLUORESCENT LAMPS (2)
 - ESB432-14 BALLAST (1)
 - DISCONNECT SWITCH
 - PHOTOCELL

ENCON SERVICES, INC.
AARON BIEDENBACH
2272 JAUDON ROAD
DOVER, FL 33527
813-655-3373
OHPE #60756, OC #01893



THOMAS SIGN & AWNING COMPANY, INC.
4590 118TH AVENUE NORTH CLEARWATER, FL 33762
800-526-3325 • 727-573-7757 • FAX 727-573-0328

CLIENT: PNC BANK
DESIGN NUMBER: W-30 WALL SIGN LAYOUT
REVISION 1: X
REVISION 2: X
REVISION 3: X
REVISION 4: X

INSTALLATION ADDRESS: X
CITY: X
STATE: X
SALES REP: X
BH: X
ARTIST: DSJ
DATE: X
DATE: X
DATE: X
DATE: X

DATE: 08-27-09
SHEET 1 OF 2

THIS DRAWING IS THE PROPERTY OF THOMAS SIGN & AWNING CO. INC. ALL RIGHTS TO IT'S USE FOR REPRODUCTION ARE RESERVED BY THOMAS SIGN & AWNING CO. INC., CLEARWATER, FL

EnCon Services, Inc.

Sign Design Calculations

Job Description
 PNC Bank
 701 North Perry
 Napoleon, Ohio
 W-30 wall sign
 Design per 2007 Ohio Building Code
 ASCE 7-05

PREPARED BY: EnCon Services, Inc.
 2272 Jaudon Road
 Dover, FL 33527
 813-655-3373
 F 813-655-9814

Aaron Biedenbach, P.E.
 FL PE #52949, FL EB 9394
 OH PE 60756, OC #01893
 KY PE #20281, P #2463
 IN PE #PE 19600322
 FL CBC #060535, QB #22527

Design Specifications

Importance Factor	1
Kzt	1
Exposure Factor	C
Kd	1
Kz	0.98
V	90 (mph)
GCP-GCpi	1.28 Zone 4, H < 60 Feet
Wind Pressure	26.0 (psf)

Sign Information

Height	3.00 (ft)
Width	10.42 (ft)
Thickness	1.00 (ft)
Distance grade to top	30 (ft)

Wind Sheer Force 78.03 (lb)
 Weight of Sign 312.6 (lb)

Total Sheer Force = 322.19 (lb)

Total Tension Force = 813.11 (lb)



	Required	Provided
Fastener size (Nominal)	3/8	3/8
Minimum number of fasteners	6	6
Sheer Force per fastener (lb)	53.7	280
Tension Force per fastener (lb)	135.5	352

Combination Tension and Sheer ratio **0.58 < 1 O.K.**

THREADED ROD THROUGH WALL IS PREFERRED IN ALL INSTANCES. IF IT IS NOT POSSIBLE TO USE THREADED ROD, SEE CHART BELOW FOR APPROPRIATE ANCHOR SELECTION. SIZE AND NUMBER REQUIRED ARE NOTED IN THE CHART ABOVE.

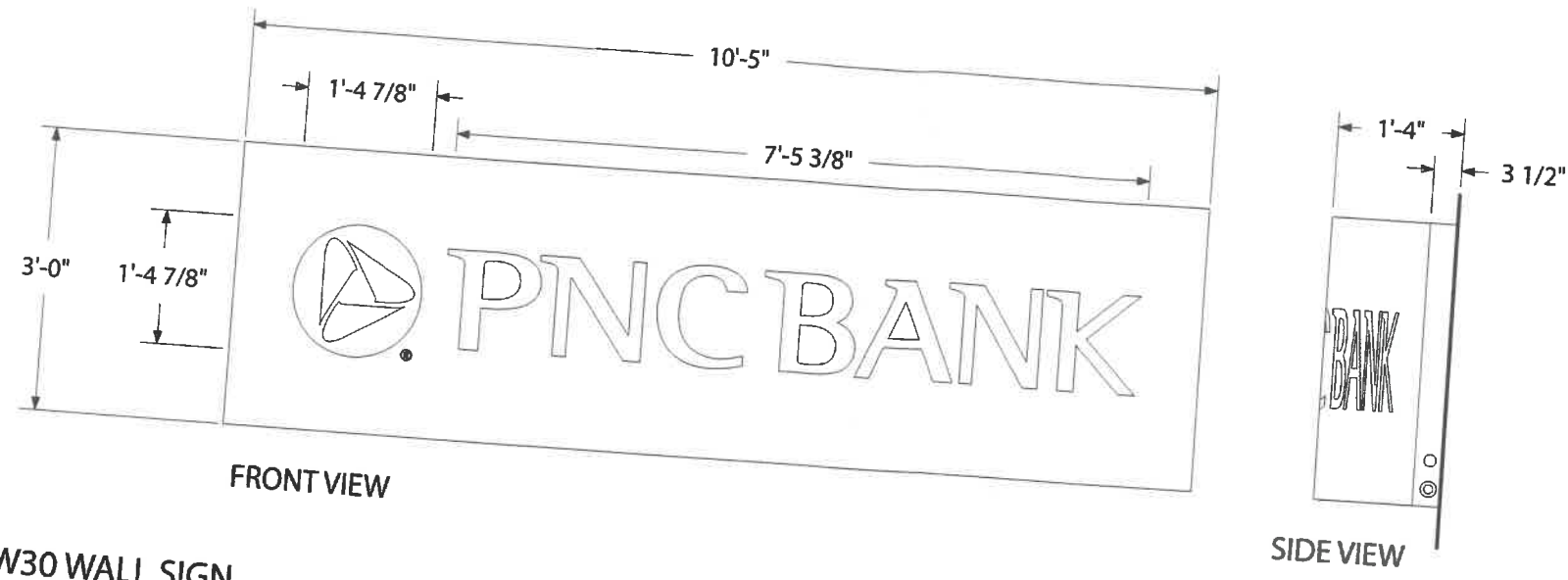
WALL STRUCTURE	ANCHOR TYPE
WOOD BLOCKING	LAG BOLT (3" EMBEDMENT) THROUGH BLOCKING
EIFS OVER 5/8" PLYWOOD	LIBERTY TOGGLE BOLT OR THRU BOLT WITH SLEEVE
HOLLOW CONCRETE BLOCK, BRICK	SLEEVE ANCHOR (1-1/2" EMBEDMENT)
SOLID CONCRETE	WEDGE ANCHOR (2-1/2" EMBEDMENT)
CMU, SOLID CONCRETE, BRICK	HILTI HIT ROD WHY-20 ADHESIVE (3 1/2" EMBEDMENT)

ALL ANCHORS SHALL BE CHOSEN AND PLACED IN ACCORDANCE WITH MANUFACTURERS INSTALLATION INSTRUCTIONS

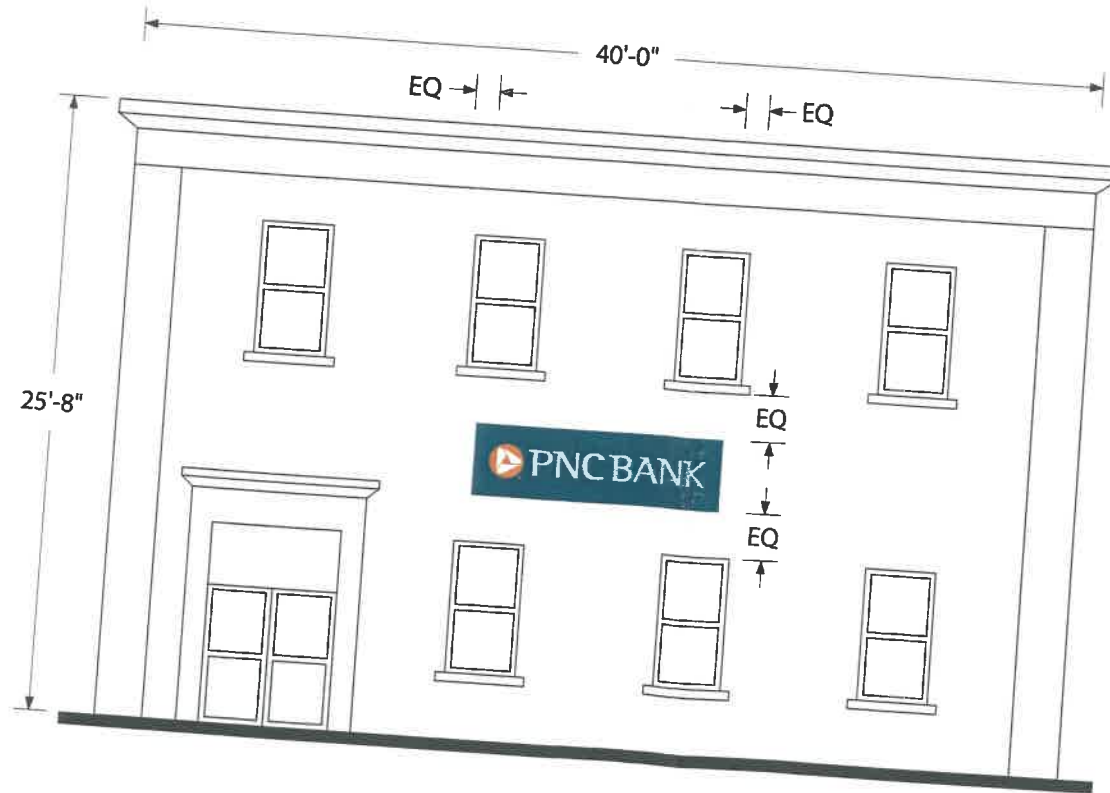
PNC BANK # 2205
 NAPOLEON, OH

SIGN #P001
 W30

TOTAL SQFT = 31.25'



W30 WALL SIGN
 SCALE: 1/2" = 1'-0"



EAST ELEVATION
 SCALE: 1/8" = 1'-0"

THIS DRAWING IS THE PROPERTY OF THOMAS SIGN & AWNING CO. INC. ALL RIGHTS TO IT'S USE FOR REPRODUCTION ARE RESERVED BY THOMAS SIGN & AWNING CO. INC., CLEARWATER, FL

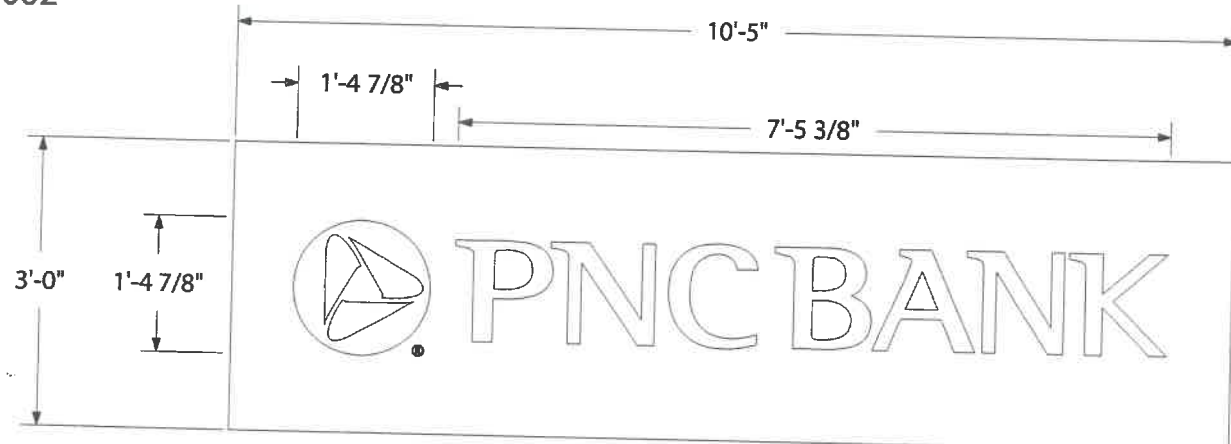
THOMAS SIGN & AWNING COMPANY, INC.
 8TH AVENUE NORTH • CLEARWATER, FL • 33762
 3325 • 727-573-7757 • FAX 727-573-0328

CLIENT	PNC BANK # 2205	INSTALLATION ADDRESS	701 NORTH PERRY	STATE	OH	DATE	09/02/09
DESIGN NUMBER	46489 A ELEV EAST	CITY	NAPOLEON	SALES REP	BH	ARTIST	DJA
REVISION 1: X		REVISION 3: X		<input type="checkbox"/> APPROVED		DATE	1 OF 1
REVISION 2: X		REVISION 4: X		<input type="checkbox"/> APPROVED AS NOTED		DATE	
				<input type="checkbox"/> REVISE AND RESUBMIT		DATE	

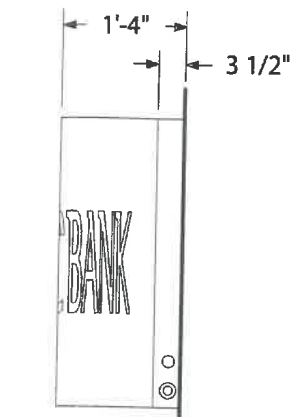
PNC BANK # 2205
 NAPOLEON, OH

SIGN #P001
 SIGN #P002

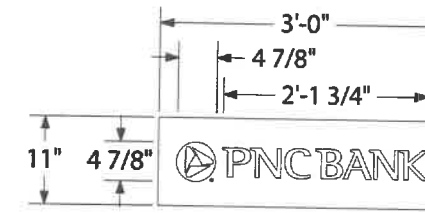
TOTAL SQFT = 34'



FRONT VIEW



SIDE VIEW



FRONT VIEW



SIDE VIEW

SIGN #P003
 WP-1 DOOR PLAQUE
 SQFT = 2.75'
 SCALE: 1/2" = 1'-0"

SIGN #P002
 W30 WALL SIGN
 SQFT = 31.25'
 SCALE: 1/2" = 1'-0"



EAST ELEVATION
 SCALE: 1/8" = 1'-0"

THIS DRAWING IS THE PROPERTY OF THOMAS SIGN & AWNING CO. INC. ALL RIGHTS TO IT'S USE FOR REPRODUCTION ARE RESERVED BY THOMAS SIGN & AWNING CO. INC., CLEARWATER, FL.

DATE	09/02/09	SHEET	1	OF	1
ARTIST	DJA	DATE:		DATE:	
SALES REP	BH	APPROVED	<input type="checkbox"/>	APPROVED AS NOTED	<input type="checkbox"/>
STATE	OH	REVISION AND RESUBMIT	<input type="checkbox"/>	DATE:	
INSTALLATION ADDRESS	701 NORTH PERRY				
CITY	NAPOLEON				
REVISION 1:	X				
REVISION 2:	X				

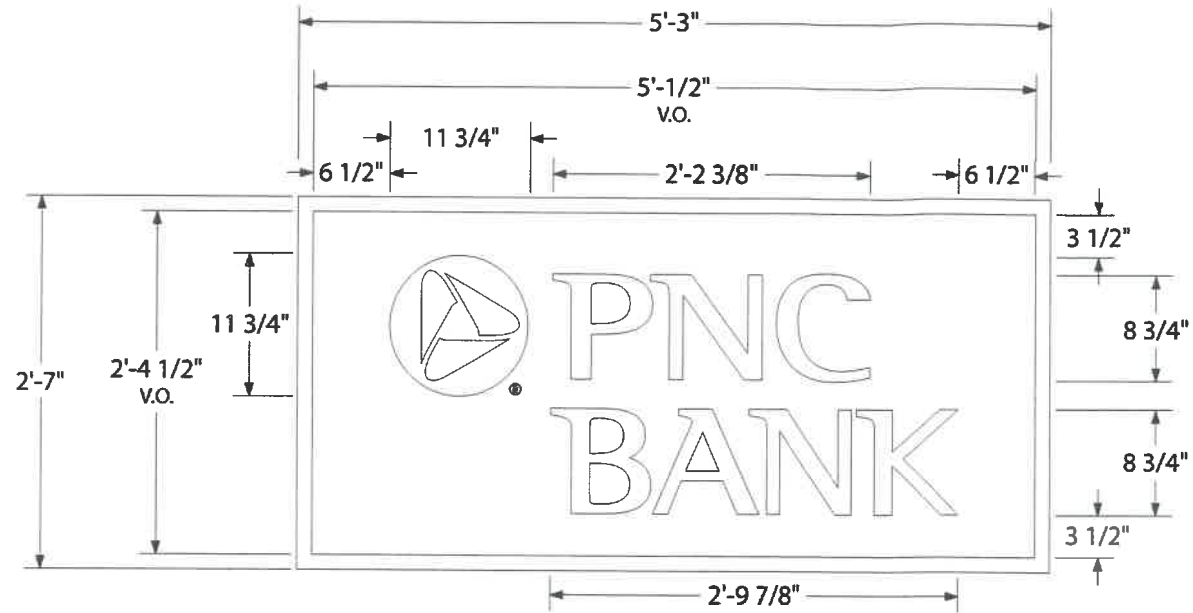
CLIENT: PNC BANK # 2205
 DESIGN NUMBER: 46489 B ELEV SOUTH
 REVISION 1: X
 REVISION 2: X

THOMAS
 SIGN & AWNING COMPANY, INC.
 4590 118TH AVENUE NORTH • CLEARWATER, FL • 33762
 800-526-3325 • 727-573-7757 • FAX 727-573-0328

SEP 02 2009

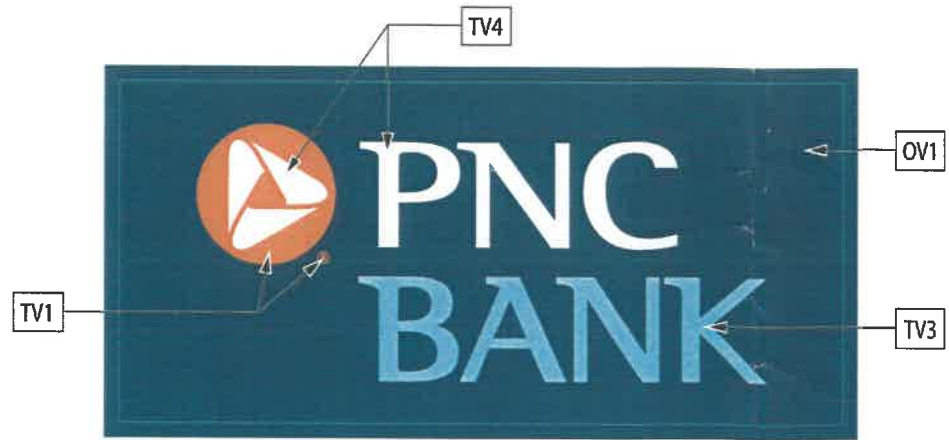
PNC BANK # 2205
 NAPOLEON, OH

SIGN # W001



- (F1) FABRICATION NOTES
- (V1) VINYL COLORS
- (P1) PAINT NOTES
- (E1) ELECTRICAL NOTES

MINIMUM CLEARSPACE OPTION



FACE REPLACEMENT
 SCALE: 1/2" = 1'-0"

TOTAL SQFT= 13.56'
PART # PNCFAC1FFB
ESTIMATE # 68069
FACE REPLACEMENT
FACE TYPE: .150" ACRYSTEEL #7328 WHITE FLAT <input type="checkbox"/> EMB
QUANTITY: 1
RETAINER: 1 1/4"
<input checked="" type="checkbox"/> EXISTING <input type="checkbox"/> NEW
GRAPHICS: ARLON TRANSLUCENT & OPAQUE VINYL
TRANSLUCENT VINYL COLORS
1) ORANGE ARLON 2500-2919
2) BLUE ARLON 2500-2913
3) LT BLUE ARLON 2500-2869
4) REVERSE WEEDED TO SHOW WHITE
5) X
6) X
OPAQUE VINYL COLORS
1) BLUE ARLON 2914 SOLID COLOR
2) WHITE ARLON 2100-02
3) REFLECTIVE WHITE ARLON 2400-02
4) X
5) X
6) X

DATE	09/02/09	SHEET	1	OF	2
ARTIST	NORTH PERRY	DIA		DATE	
SALES REP	NAPOLEON	BH		APPROVED	
STATE	OH	OH		APPROVED AS NOTED	
INSTALLATION ADDRESS	701 NORTH PERRY	REVISION 3:	X	REVISION 4:	X
CITY	NAPOLEON	REVISION 1:	X	REVISION 2:	X

THIS DRAWING IS THE PROPERTY OF THOMAS SIGN & AWNING CO. INC. ALL RIGHTS TO IT'S USE FOR REPRODUCTION ARE RESERVED BY THOMAS SIGN & AWNING CO. INC., CLEARWATER, FL.

THOMAS
 SIGN & AWNING COMPANY, INC.
 4590 118TH AVENUE NORTH • CLEARWATER, FL • 33762
 800-526-3325 • 727-573-7757 • FAX 727-573-0328

SEP 14 2009

JPM

ENGINEER BOX